

Informacijski list proizvoda (HR)

Product information (ENG)

VIVAX



2
PODRUČJA KUHANJA



DVOSTRUKA
ZONA KUHANJA



DJEČJA
ZAŠTITA

Keramička ploča BH-02TVC

Idealna za male kuhinje, VIVAX staklokeramička ploča omogućuje brže i učinkovitije kuhanje. Zahvaljujući jednakom širenju topline postići ćete savršeno obrađene namirnice uz manju potrošnju energije. Za brigu o vašim najmlađima pobrinula se dječja zaštita.

Dimenzija
30 cm

Tip ploče
Staklo-keramička ploča

Napajanje / Snaga
220-240 V / 50 Hz / 2900 W

Površinski materijal
Staklo-keramika

Broj područja za kuhanje / Broj stupnjeva snage
2 / 9

Dimenzija zone rada
Gornja zona - 185 mm
Donja zona - 155 mm

Snaga zone rada
Gornja zona - 1700 / 700 W (Dual zona)
Donja zona - 1200 W

Ostale funkcije
Automatsko sigurnosno isključivanje i zaštita od pregrijavanja, Pokazatelj preostale topline ploče prilikom hlađenja, Dječja zaštita

Pribor
Brtva za radnu ploču i pričvrzne spojnice,
H05 VV-F 3G 3 x 1,5 m² kabel napajanja s utikačem
1500 mm; Upute za uporabu i ugradnju

Bruto / Neto težina
5,5 kg / 4,6 kg

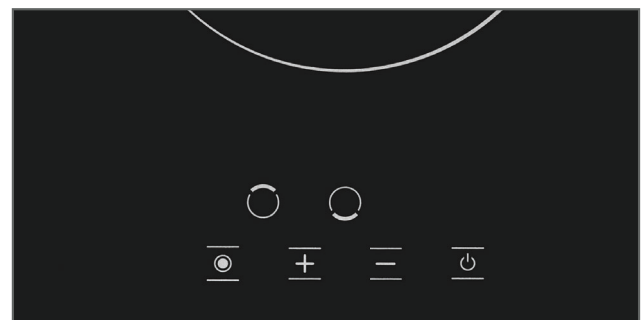
Dimenzija paketa / Dimenzija uređaja
392 x 610 x 142 mm / 300 x 520 x 55 mm

EAN Kod
3856005186600

SAP Kod
1255259



Dvije zone rada



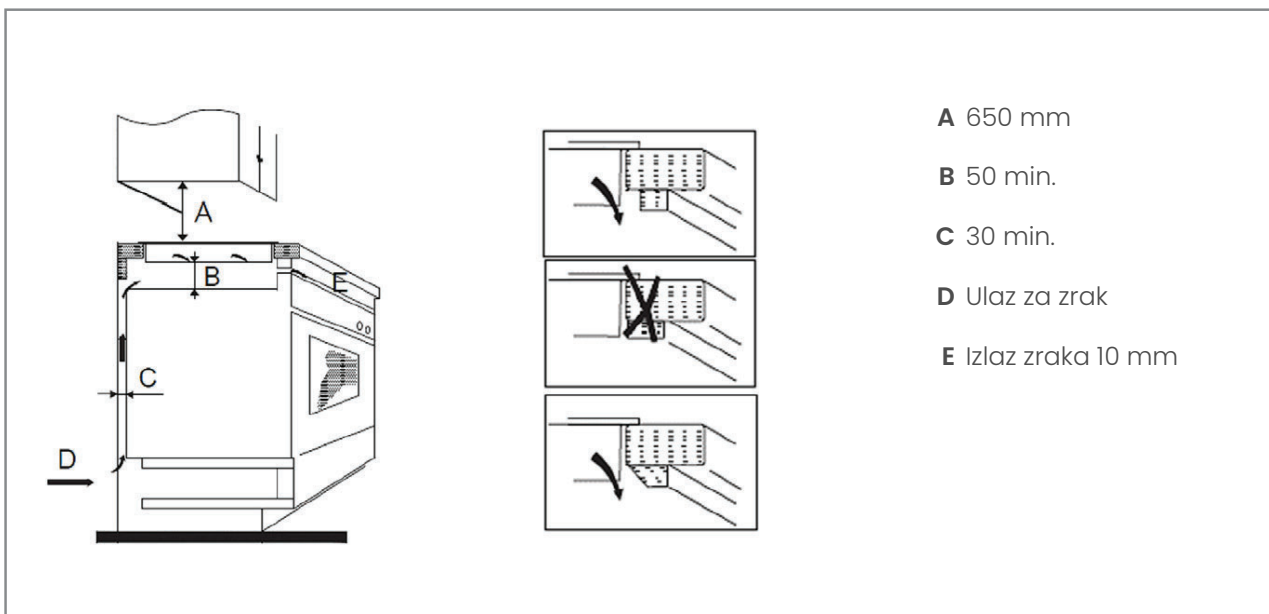
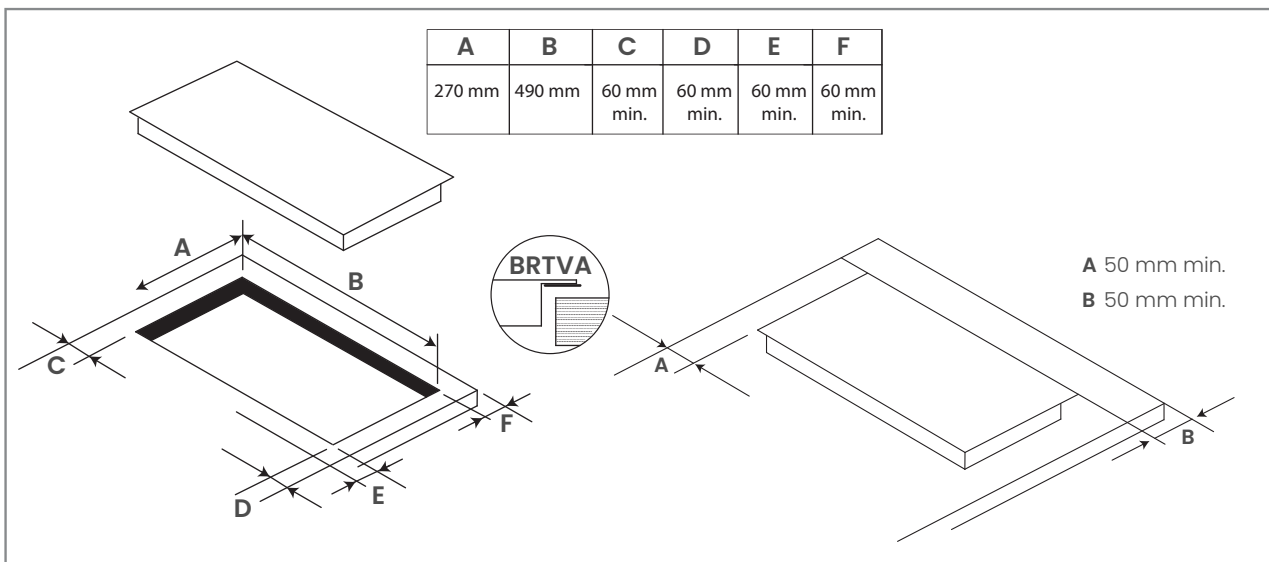
Digitalni display, tipke na dodir

Keramička ploča BH-02TVC

Idealna za male kuhinje, VIVAX staklokeramička ploča omogućuje brže i učinkovitije kuhanje. Zahvaljujući jednakom širenju topline postići ćete savršeno obrađene namirnice uz manju potrošnju energije. Za brigu o vašim najmlađima pobrinula se dječja zaštita.



UGRADNJA PROIZVODA



VIVAX



Built in Hob BH-02TVC

Ideal for small kitchens, VIVAX glass-ceramic hob enables faster and more efficient cooking. Thanks to the even heat dissipation, you will achieve perfectly processed food with less energy consumption. To take care of your little ones, it is equipped with Child protection.

Dimension
30 cm

Hob type
Glass-ceramic built in hob

Power supply / Power
220-240 V / 50 Hz / 2900 W

Cabinet material
Glass-ceramic

Number / Power of cooking zones
2 / 9

Dimension of Cooking zones
Upper zone - 185 mm
Lower zone - 155 mm

Power of cooking zones
Upper zone - 1700 / 700 W (Dual zone)
Lower zone - 1200 W

Other functions
Automatic shut-off safety device and overheating protection device (after 20 sec.), Residual heat indicator, Child protection

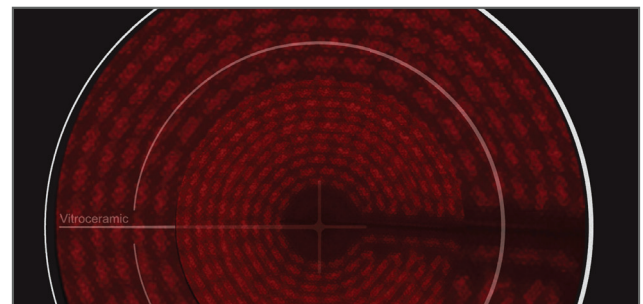
Accessories
Seal for worktop and fastening brackets, Power cable H05 VV-F 3G 3 x 1,5 m² with plug 1500 mm; Instructions for use and installation

Gross / Net Weight
5.5 kg / 4.6 kg

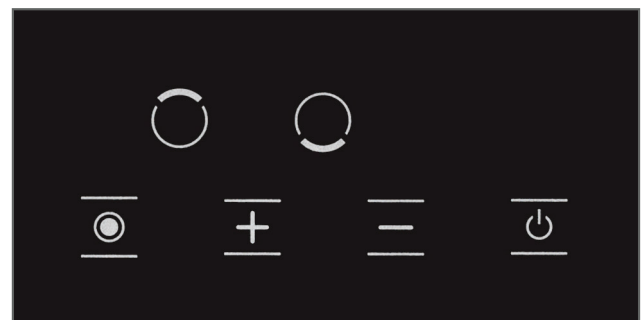
Package Dimension / Appliance Dimension
392 x 610 x 142 mm / 300 x 520 x 55 mm

EAN Code
3856005186600

SAP Code
1255259



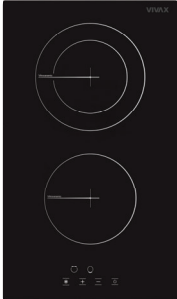
Dual work zone (Upper zone)



Digital display, touch control buttons

Built in Hob BH-02TVC

Ideal for small kitchens, VIVAX glass-ceramic hob enables faster and more efficient cooking. Thanks to the even heat dissipation, you will achieve perfectly processed food with less energy consumption. To take care of your little ones, it is equipped with Child protection.



BUILT-IN INSTRUCTIONS

