

Informacijski list proizvoda (HR)

Product information (ENG)

# VIVAX



**70 W**  
JAČINA MOTORA



**337 m<sup>3</sup>/h**  
PROTOK ZRAKA



**ALUMINIJSKI**  
FILTER

## Kuhinjska napa CHO-60CSA070A B

Modernog izgleda i vrhunskih performansi, ova napa unosi luksuz i svježinu u vašu kuhinju. Osim modernog izgleda, motor s 3 razine snage rada uspješno će izvući sav dim i nečistoće, dok će istovremeno raditi na samo 62 dB, tiho poput najtišeg razgovora. Crne boje i aluminijskog kućišta, minimalistički dizajn ove nape lako će se uklopiti u svaki interijer, a njezine performanse zadovoljiti i one najzahtjevnije estete.



Aluminijski filter



LED Rasvjeta

Snaga motora  
70 W

Brzine motora  
3

Protok zraka (ERP)  
337 m<sup>3</sup>/h

Napajanje / Ukupna snaga  
72 W

Minimalna / Maksimalna razina buke  
58 dB / 62 dB

Klasa energetske učinkovitosti  
A

Učinkovitost filtriranja masnoće  
D

Razred učinkovitosti osvjetljenja  
B

Tip svjetla  
2 x 1W LED / 52 lux

Vanjski izgled / Kontrole  
Bojani metal / Kromirane Tipke

Tip filtera  
Aluminijski filter u 5 slojeva

Ugljeni filter za unutarnju cirkulaciju zraka  
CP350 (naručuje se posebno)

Promjer odvodnog crijeva / Mjesto priključka  
150 mm / Gornja strana

Pribor u kompletu  
Savijljivo crijevo Ø 150 x 1500mm; Nosači i pribor za montažu; Energetska naljepnica; Upute za uporabu i montažu

Bruto / Neto težina  
9,5 kg / 7,8 kg

Dimenzija paketa / Dimenzija uređaja  
620 x 435 x 360 mm / 595 x 675-1055 x 285 mm

EAN Kod  
3856005181148

SAP Kod  
1208277

# VIVAX

## Kuhinjska napa CHO-60CSA070A B



**70 W**  
JAČINA MOTORA



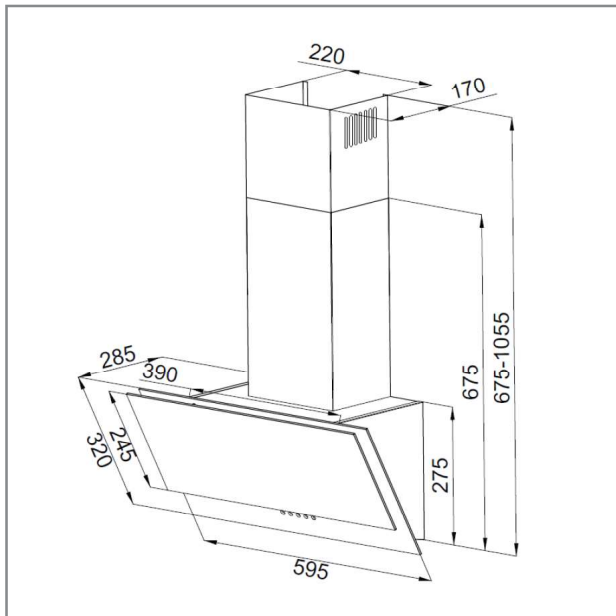
**337 m<sup>3</sup>/h**  
PROTOK ZRAKA



**ALUMINIJSKI**  
FILTER

Modernog izgleda i vrhunskih performansi, ova napa unosi luksuz i svježinu u vašu kuhinju. Osim modernog izgleda, motor s 3 razine snage rada uspješno će izvući sav dim i nečistoće, dok će istovremeno raditi na samo 62 dB, tiho poput najtišeg razgovora. Crne boje i aluminijskog kućišta, minimalistički dizajn ove nape lako će se uklopiti u svaki interijer, a njezine performanse zadovoljiti i one najzahtjevnije estete.

### DIMENZIJE PROIZVODA

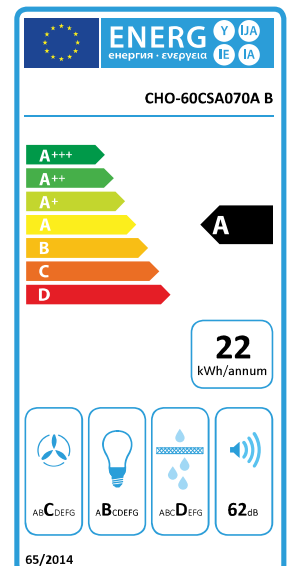


### ZAMJENA SVJETLA


#### UPOZORENJE:

Zamjenu osvjetljenja mora izvesti ovlaštenu servis ili slična kvalificirana osoba kako bi se izbjegla opasnost od električnog udara.

### ENERGETSKA NALJEPNICA



# VIVAX

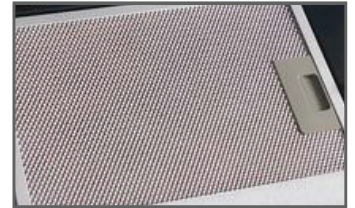
  
**70 W**  
MOTOR POWER

  
**337 m<sup>3</sup>/h**  
AIR FLOW

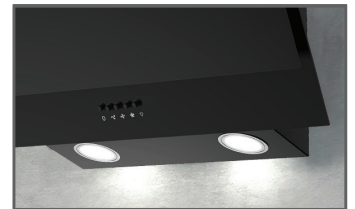
  
**ALUMINUM**  
FILTER

## Kitchen Hood CHO-60CSA070A B

With a modern look and top performance, this hood brings luxury and freshness to your kitchen. In addition to a modern look, the engine with 3 power levels will successfully extract all smoke and dirt while simultaneously running at just 62 dB. Black color and aluminum housing, the minimalist design of this kitchen hood will easily fit into any interior and its performance will satisfy even the most demanding aesthetes.



Aluminum Filter



LED Lighting

Motor Power  
70 W

Number of engine speeds  
3

Air Flow (ErP)  
337 m<sup>3</sup>/h

Power Supply / Power  
72 W

Min. / Max. noise level  
58 dB / 62 dB

Energy efficiency class  
A

Grease filtering efficiency  
D

Lighting efficiency class  
B

Type of light source  
2 x 1 W LED / 52 lux

Exterior / Controls  
Painted Metal / Chrome Buttons

Filter Type  
Aluminum filter in 5 layers

Carbon Filter for indoor air circulation  
CP350 (purchased separately)

Exhaust hose diameter / Connection location  
150 mm / Upper Side

Installation Accessories  
Flexible hose Ø 150 x 1500mm; Bracket and mounting accessories; Energy label; Instructions for use and installation

Gross / Net Weight  
9.5 kg / 7.8 kg

Package Dimension / Appliance Dimension  
620 x 435 x 360 mm / 595 x 675-1055 x 285 mm

EAN Code  
3856005181148

SAP Code  
1208277

# VIVAX



**70 W**  
MOTOR POWER



**337 m<sup>3</sup>/h**  
AIR FLOW



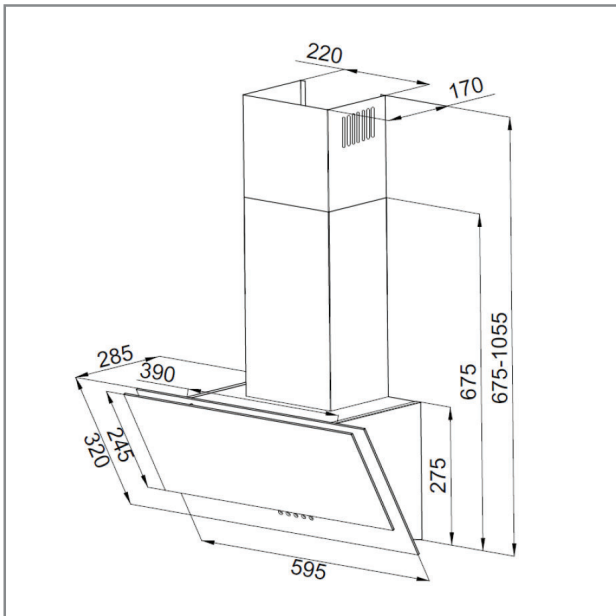
**ALUMINUM**  
FILTER

## Kitchen Hood CHO-60CSA070A B



With a modern look and top performance, this hood brings luxury and freshness to your kitchen. In addition to a modern look, the engine with 3 power levels will successfully extract all smoke and dirt while simultaneously running at just 62 dB. Black color and aluminum housing, the minimalist design of this kitchen hood will easily fit into any interior and its performance will satisfy even the most demanding aesthetes.

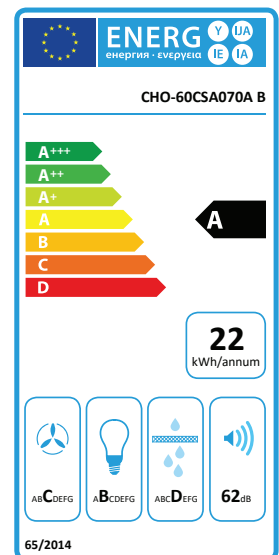
### APPLIANCE DIMENSIONS



### LIGHT REPLACEMENT

**WARNING:**  
Lighting replacement must be performed by an authorized service center or similar qualified person to avoid the risk of electric shock.

### ENERGY LABEL



65/2014