

Informacijski list proizvoda (HR)

Product information (ENG)

VIVAX



14
SETOVA



6
PROGRAMA



BRZO
PRANJE



DODATNO
SUŠENJE

Perilica posuđa DW-601663B X

Tip perilice / Dimenzija
Samostojeća, inox / 60 cm

Napajanje
220-240V / 50Hz, 1760-2100W

Kapacitet (kompleti posuđa)
14

Klasa energetske učinkovitosti
E

Maksimalna razina buke
49 dB

Potrošnja vode po ciklusu pranja
11 L / ciklus

Odgoda početka pranja
3/6/9/12 h

Programi pranja (6 programa)
Intenzivno, Univerzalno, ECO, Čaše, 90 min, Brzo pranje

Dodatne Funkcije
Funkcija dodatnog sušenja, Funkcija pola punjenja, Timer s odgodom pranja (3/6/9/12 h), Elektroničko ugađanje potrošnje soli, Svjetlosna upozorenja nedostatka soli i sjajila

Kontrolna ploča (6 tipki)
Uklj/Isklj., Odabir programa pranja, Pola punjenja, Dodatno sušenje, Odgoda pranja (timer), Start / Pauza; Indikator programa; Indikator nedostatka sjajila i soli, Prikaz odgode pranja

Košara (3 sive košare)
3 razine, sive boje, gornja + donja s preklopnim nosačem

Pribor
Lijevak za sipanje soli; Priključna cijev; Upute za uporabu; Energetska naljepnica

Bruto / Neto težina
48.3 kg / 42.8 kg

Dimenzija paketa / Dimenzija uređaja
645 × 884 × 645 / 598 × 600 × 845 mm

EAN Kod
3856005181599

SAP Kod
1212849

VIVAX HOME perilica posuđa omogućava brzu i učinkovitu izvedbu. Programom pola punjenja štedite resurse i energiju, optimizira se potrošnja vode i energije pri pranju male količine posuđa u obje košare. Perilica posuđa je opremljena sa čak 3 razine i kapacitetom za 14 kompleta posuđa.



Funkcija dodatnog sušenja

VIVAX



14
SETOVA



6
PROGRAMA



BRZO
PRANJE

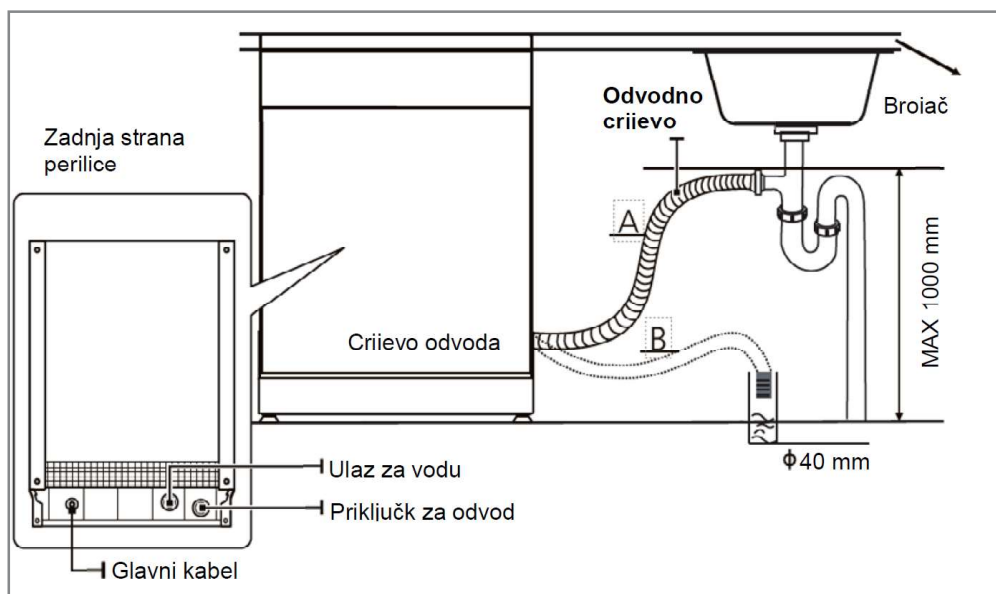


DODATNO
SUŠENJE

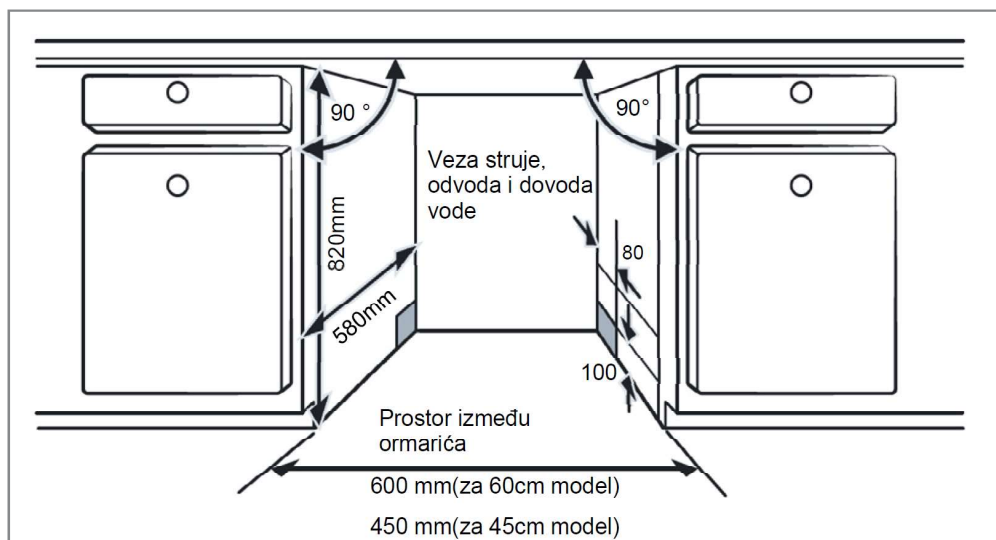
Perilica posuđa DW-601663B X

VIVAX HOME perilica posuđa omogućava brzu i učinkovitu izvedbu. Programom pola punjenja štedite resurse i energiju, optimizira se potrošnja vode i energije pri pranju male količine posuđa u obje košare. Perilica posuđa je opremljena sa čak 3 razine i kapacitetom za 14 kompleta posuđa.

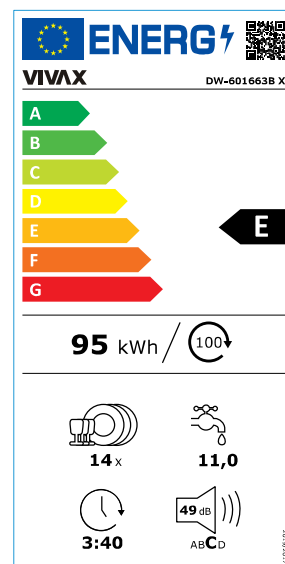
POVEZIVANJE CRIJEVA ZA ODVOD




ODABIR NAJBOLJE LOKACIJE ZA PERILICU POSUĐA



ENERGETSKA NALJEPNICA



VIVAX


14
PLACE
SETTINGS


6
PROGRAMS


RAPID
WASH


ADDITIONAL
DRYING / WASHING

Dishwasher DW-601663B X

The VIVAX HOME dishwasher enables fast and efficient performance. The half-filling program saves resources and energy, optimizes water and energy consumption when washing a small amount of dishes in both baskets. The dishwasher is equipped with as many as 3 levels and a capacity for 14 sets of dishes.

Type of Dishwasher / Dimension
Freestanding, Inox / 60 cm

Power Supply
220-240V / 50Hz, 1760-2100W

Capacity (place settings)
14

Energy Efficiency Class
E

Maximum Noise Level
49 dB

Water Consumption (L) /cycle
11 L /cycle

Delay Start
3/6/9/12 h

Washing Programs (6 programs)
Intensive, Universal, ECO, Glasses, 90 min, Rapid

Extra Functions
Additional drying function, Half load (upper or lower basket),
Timer with delayed washing (3/6/9/12 h);
Electronic salt consumption adjustment, Light warnings of
lack of salt and rins

Control panel (6 buttons)
On/Off, Program selector, Half load, Extra drying, Timer,
Start / Pause;
LCD Display; Rinse and Salt warning indicators

Basket (3 gray baskets)
3 levels; Upper + Lower basket with folding bracket + 1
basket for cutlery

Accessories
Salt pouring funnel; Connecting pipe; User manuals; Energy
label

Gross / Net weight
48.3 kg / 42.8 kg

Package Dimension / Device Dimension
645 × 884 × 645 / 598 × 600 × 845 mm

EAN Code
3856005181599

SAP Code
1212849



Additional drying function

VIVAX

14
PLACE
SETTINGS

6
PROGRAMS

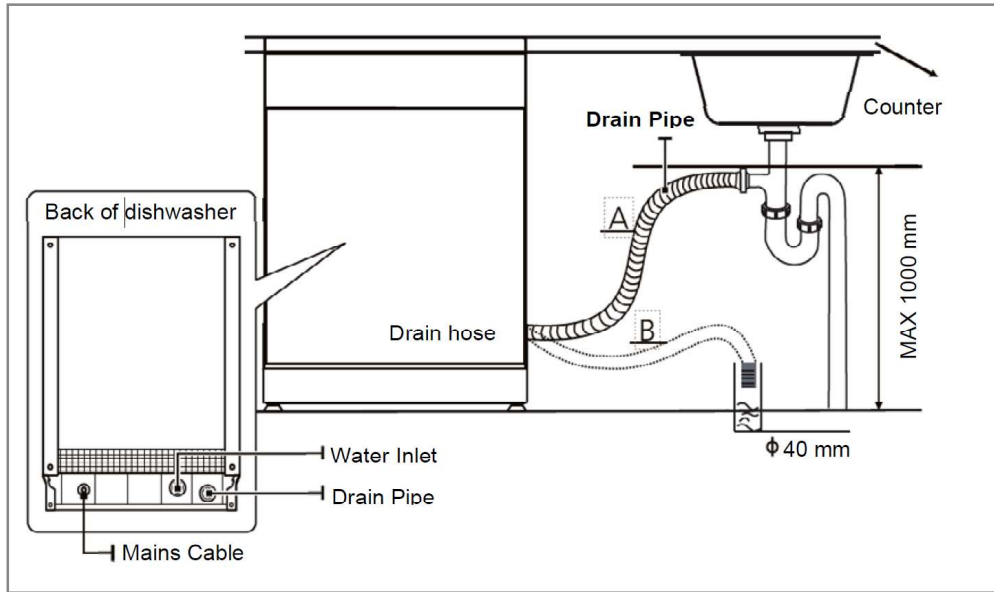
RAPID
WASH

ADDITIONAL
DRYING / WASHING

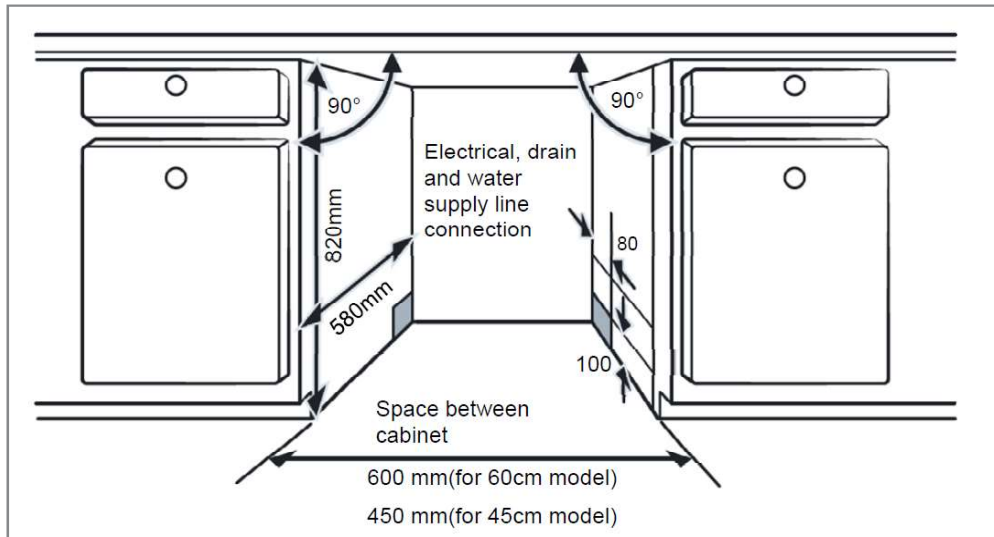
Dishwasher DW-601663B X

The VIVAX HOME dishwasher enables fast and efficient performance. The half-filling program saves resources and energy, optimizes water and energy consumption when washing a small amount of dishes in both baskets. The dishwasher is equipped with as many as 3 levels and a capacity for 14 sets of dishes.



CONNECTION OF DRAIN HOSES




SELECTING THE BEST LOCATION FOR THE DISHWASHER




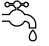
ENERGY LABEL


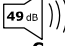
ENERGY  

VIVAX DW-601663B X

A
B
C
D
E 
F
G

95 kWh / 100

 **14 x**  **11,0**

 **3:40**  **49 dB**
A B C D

© 2016/01/01