

VIVAX



FREESTANDING AND BUILT-IN HOME APPLIANCES 2024

CONTENTS

Refrigerators	1
Wine Coolers	8
Vertical and Horizontal Freezers	10
Washing Machines and Dryers	16
Dishwashers	26
Selfstanding Cookers	30
Water Heaters	38
Built-in Microwaves	40
Built-in Ovens	42
Built-in Hobs	46
Kitchen Hoods	54
Built-in Dishwashers	58

SPECIFICATIONS

Refrigerators	60
Wine Coolers	62
Vertical and Horizontal Freezers	63
Washing Machines	64
Washer-Dryer	66
Dryers	67
Dishwashers	68
Stoves	70
Water Heaters	72
Built-in Microwaves	73
Built-in Ovens	74
Built-in Hobs	76
Kitchen Hoods	78
Built-in Dishwashers	80

INSTALLATION DIAGRAMS

Built-in Microwaves	81
Built-in Ovens	82
Built-in Cooktops	83
Kitchen Hoods	85
Built-in Dishwashers	87

VIVAX is a recognized brand of consumer electronics, present on the market for 20 years, known for its quality and affordability. With a focus on creating products that meet the needs of the modern home, VIVAX is the leading choice for those seeking reliable, functional, and visually appealing devices.

The VIVAX slogan "Simply Quality" embodies the essence of everything VIVAX represents. Emphasizing ease of use and lasting quality in every product, our goal is to provide users with reliable devices that simplify and enhance everyday life. VIVAX offers uncompromising functionality with a design that fits into every home.

VIVAX FREESTANDING AND BUILT-IN HOME APPLIANCES

Choosing the right home appliance can significantly impact everyday life. VIVAX devices combine superior quality and modern technology, while also providing functionality and style that will perfectly complement any interior.

TECHNOLOGY THAT PROTECTS NATURE

The production of our devices is focused on preserving nature and protecting natural resources for future generations. Through innovative approaches and sustainable materials, we develop products that reduce energy consumption, are recyclable, and comply with all EU standards for environmental protection.

VIVAX factory warranty covers any malfunction or defect in the device that occurs during the warranty period. White goods devices are covered by a three-year warranty, while refrigerators and freezers come with a five-year warranty.

VIVAX 5-YEAR FACTORY WARRANTY

The warranty for VIVAX refrigerators and freezers is 60 months. We believe in the quality of VIVAX refrigerators and freezers, and we guarantee their functionality for 5 years. This is a standard and comprehensive warranty for our devices, and no additional registration is required after purchase to activate the warranty.

VIVAX 3-YEAR FACTORY WARRANTY

Warranty time of 36 months, or 3 years, applies to cookers, washing machines, dryers, and dishwashers. This is a standard warranty for our devices, and no additional registration of the device is required after purchase to activate the warranty.

For detailed information on warranty conditions and a list of authorized service centers, please visit vivax.com.



REFRIGERATORS

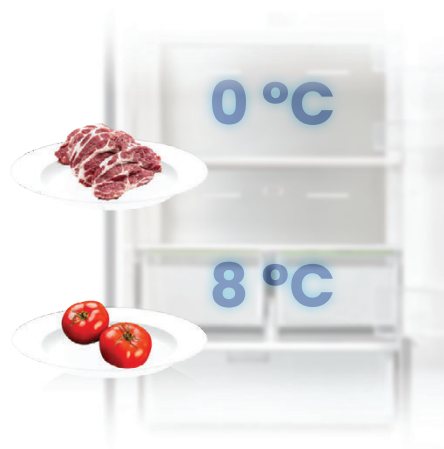




EASY-TO-ACCESS, STRONG AND DURABLE SHELVES

If you need more space in the refrigerator, shelves in VIVAX refrigerators are easily removable as well as adjustable. They are made of durable glass*, which not only offers high load capacity but also has an elegant appearance and is easy to maintain.

However, it's important to be cautious about the weight of items placed on the shelves. If possible, distribute the load evenly across the entire shelf surface. Each shelf can be adjusted in height, allowing for optimal organization of items in the refrigerator.



TEMPERATURE DIFFERENCE IN STORING FOOD AND VEGETABLES

Meat, unlike vegetables, has a shorter shelf life in the refrigerator and should be stored in the freezer if not used within a few days. If kept in the refrigerator, meat should be placed on the coldest shelves, while vegetables can be stored at temperatures of around 8°C.

Additionally, 'Fresh' drawers help preserve fruits and vegetables by creating an optimal temperature and humidity to extend their shelf life.



LOW FROST TECHNOLOGY*

The walls inside the refrigerator and freezer are smooth and free from visible evaporators where ice and frost usually accumulate. This type of refrigerator is easier to maintain and requires less frequent defrosting.

NO FROST TECHNOLOGY*

No more tedious removing of solid ice accumulation on the walls of the refrigerator or freezer. With VIVAX 'NO FROST' technology, your appliance does not require any periodic defrosting. The walls remain clean, free from ice accumulation, and the atmosphere inside the freezer is free from harmful moisture, which significantly enhances the longevity of your food.

*For the available technology of your model, please refer to the technical specifications.

REFRIGERATORS



CFS-516DFD X

Refrigerator / Freezer Capacity (L)

Width: 84 cm

347 / 169

Energy Efficiency

E

Noise Level (dB)

35

Dimensions – W x H x D (cm)

83,5 x 190,0 x 65,0

- NO FROST and NO FROST Multi Air Flow technology for food freshness
- Fast Freeze and Fast Cool functions
- Digital control
- LED lighting
- Drawer with adjustable temperature (fruits and vegetables / beverages / meat and fish)
- Freezer drawers for easy access to items
- Dark inox material doors and drawers
- Metal rear panel with ,ADT FRESH' technology (Adsorption Technology) for maintaining freshness
- Odor removal with carbon filter



CF-378DNF BG

Refrigerator / Freezer Capacity (L)

Width: 60 cm

256 / 122

Energy Efficiency

E

Noise Level (dB)

38

Dimensions – W x H x D (cm)

59,5 x 197,0 x 65,5

- NO FROST technology for refrigerator and freezer
- NO FROST Multi Air Flow technology for food freshness
- Fast Freeze and Fast Cool functions
- Digital control
- LED lighting
- Holiday mode
- Door open alarm
- Elegant black glass design

REFRIGERATORS



CF-310EDNF X

Width: 60 cm

Refrigerator / Freezer Capacity (L)	224 / 86
Energy Efficiency	E
Noise Level (dB)	42
Dimensions – W x H x D (cm)	59,5 x 203,0 x 63,0

- NO FROST technology for refrigerator and freezer
- NO FROST Multi Air Flow technology for food freshness
- Fast Freeze function
- Digital control
- LED lighting
- LCD display
- Stainless steel doors



CF-310ENF X

Width: 60 cm

Refrigerator / Freezer Capacity (L)	224 / 86
Energy Efficiency	E
Noise Level (dB)	42
Dimensions – W x H x D (cm)	59,5 x 188,0 x 63,0

- NO FROST technology for refrigerator and freezer
- NO FROST Multi Air Flow technology for food freshness
- Fast Freeze function
- Digital control
- LED operation indicators inside the refrigerator
- LED lighting
- Stainless steel doors

REFRIGERATORS



CF-259ELF W

Refrigerator / Freezer Capacity (L)

Width: 55 cm

197 / 65

Energy Efficiency

E

Noise Level (dB)

39

Dimensions – W x H x D (cm)

54,5 x 180,0 x 58,0

- Conventional cooling technology
- Low Frost technology for the freezer
- Mechanical thermostat control
- LED lighting
- White doors



CF-174ELF W / CF-174ELF S

Refrigerator / Freezer Capacity (L)

Width: 47 cm

115 / 59

Energy Efficiency

E

Noise Level (dB)

39

Dimensions – W x H x D (cm)

47,0 x 150,0 x 51,1

- Conventional cooling technology
- Low Frost technology for the freezer
- Mechanical thermostat control
- LED lighting
- White doors (W) / Silver doors (S)

REFRIGERATORS



DD-207E X / DD-207E S / DD-207E W

Width: 55 cm

Refrigerator / Freezer Capacity (L)	163 / 41
Energy Efficiency	E
Noise Level (dB)	40
Dimensions – W x H x D (cm)	54,5 x 143,0 x 55,0

- Conventional cooling technology
- Mechanical thermostat control
- Stainless steel doors (X) / Silver doors (S) / White doors (W)



VL-235E W

Width: 55 cm

Refrigerator / Freezer Capacity (L)	224 / 86
Energy Efficiency	E
Noise Level (dB)	40
Dimensions – W x H x D (cm)	55,0 x 142,0 x 55,0

- Conventional cooling technology
- Mechanical thermostat control

REFRIGERATORS



TTR-93E+

Width: 48 cm

Refrigerator / Freezer Capacity (L)

68 / 12

Energy Efficiency

E

Noise Level (dB)

41

Dimensions – W x H x D (cm)

47,2 x 85,0 x 45,0

- Conventional cooling
- **** Freezer
- LED lighting
- Mechanical thermostat control
- Glass shelves



TTR-93E

Width: 48 cm

Refrigerator / Freezer Capacity (L)

93 / 10

Energy Efficiency

E

Noise Level (dB)

41

Dimensions – W x H x D (cm)

47,2 x 85,0 x 45,0

- Conventional cooling
- Starless freezer
- Mechanical thermostat control

REFRIGERATORS



TTL-93E

Width: 48 cm

Refrigerator / Freezer Capacity (L)

93

Energy Efficiency

E

Noise Level (dB)

40

Dimensions – W x H x D (cm)

47,2 x 85,0 x 45,0

- Conventional cooling
- Starless freezer
- Mechanical thermostat control
- Glass shelves



MF-45E

Width: 48 cm

Refrigerator / Freezer Capacity (L)

43 / 45*

Energy Efficiency

E

Noise Level (dB)

41 / 38*

Dimensions – W x H x D (cm)

47,2 x 49,2 x 45

- Conventional cooling
- Mechanical thermostat control

WINE COOLERS



WINE COOLERS



CW-144D46 GB

Width: 60 cm

Cooling technology

No Frost

Total net volume (L)

144

Number of standard bottles / Number of zones

46 / 2

Dimensions — W x H x D (cm)

59,5 x 86,5 x 65,0

- Freestanding wine cooler
- No Frost Multi Air Flow system
- Reversible door
- Stainless steel handle
- Digital control for each zone with LED display
- Noise level 39 dB
- LED lighting
- Door open alarm



CW-094S30 GB

Width: 48 cm

Cooling technology

Konvencionalno hladenje

Total net volume (L)

94

Number of standard bottles / Number of zones

30 / 1

Dimensions — W x H x D (cm)

47,5 x 83,4 x 44,5

- Freestanding wine cooler
- Reversible door
- Digital control with LED display
- Noise level 38 dB
- LED lighting

VERTICAL AND HORIZONTAL FREEZERS



HORIZONTAL FREEZERS



CFR-418

Width: 142 cm

Net freezer volume (L)	418
Energy efficiency	E
Noise level (dB)	44
Dimensions – W x H x D (cm)	141,6 x 82,5 x 75,0

- Freezer star rating ****
- Digital thermostat control
- Conventional cooling
- 2 drawers/baskets in the freezer
- Climate class SN / N / ST / T
- Top-opening door



CFR-293

Width: 107 cm

Net freezer volume (L)	293
Energy efficiency	E
Noise level (dB)	41
Dimensions – W x H x D (cm)	106,5 x 84,4 x 59,2

- Freezer star rating ****
- Mechanical thermostat control
- Conventional cooling
- 2 drawers/baskets in the freezer
- Climate class SN / N / ST / T
- Top-opening door

HORIZONTAL FREEZERS



CFR-250

Net freezer volume (L)

Width: 99 cm

249

Energy efficiency

E

Noise level (dB)

41

Dimensions – W x H x D (cm)

98,5 x 85,0 x 60,0

- Freezer star rating ****
- Mechanical thermostat control
- Conventional cooling
- 2 drawers/baskets in the freezer
- Climate class SN / N / ST / T
- Top-opening door



CFR-199

Net freezer volume (L)

Width: 77 cm

198

Energy efficiency

E

Noise level (dB)

41

Dimensions – W x H x D (cm)

77,0 x 85,0 x 56,0

- Freezer star rating ****
- Mechanical thermostat control
- Conventional cooling
- 1 drawer/basket in the freezer
- Climate class SN / N / ST
- Top-opening door

HORIZONTAL FREEZERS



D-SHAPE FREEZING TECHNOLOGY

With two-way cooling technology, VIVAX freezers effectively maintain temperature within the walls of the unit, preventing external conditions from affecting the interior. Whether items are in movable baskets or freely placed inside the unit, each is cooled and preserved equally.

CFR-143

Net freezer volume (L)

Width: 60 cm

143

Energy efficiency

E

Noise level (dB)

40

Dimensions – W x H x D (cm)

60,0 x 85,0 x 56,0

- Freezer star rating ****
- Mechanical thermostat control
- Conventional cooling
- 1 drawer/basket in the freezer
- Climate class SN / N / ST
- Top-opening door



TWO-WAY COOLING TECHNOLOGY

The proper arrangement of evaporators within the walls ensures that items freeze evenly regardless of their placement.

VERTICAL FREEZERS



VF-157E W

Width: 55 cm

Net freezer volume (L)

160

Energy efficiency

E

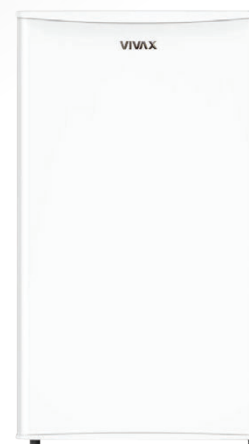
Noise level (dB)

42

Dimensions – W x H x D (cm)

55 x 142 x 55

- Freezer star rating ****
- Mechanical thermostat control
- Conventional cooling
- 1 shelf in the freezer
- 5 drawers/baskets in the freezer
- Climate class N / ST
- Reversible door



TTF-60E

Width: 48 cm

Net freezer volume (L)

60

Energy efficiency

E

Noise level (dB)

41

Dimensions – W x H x D (cm)

47,5 x 84,5 x 44,6

- Freezer star rating ****
- Mechanical thermostat control
- Conventional cooling
- 3 drawers/baskets in the freezer
- Climate class N / ST
- Reversible door

VERTICAL FREEZERS



MFR-32E

	Width: 48 cm
Net freezer volume (L)	31
Energy efficiency	E
Noise level (dB)	41
Dimensions — W x H x D (cm)	47,2 x 49,2 x 45

- Freezer star rating ****
- Mechanical thermostat control
- Conventional cooling
- 1 drawer in the freezer
- Climate class N / ST
- Reversible door

WE PROVIDE SILENCE

VIVAX refrigerators are carefully designed and among the quietest on the market. Most models have a noise level of 39-40 dB, and top No Frost models even 35-38 dB!

We ensure a peaceful and safe sleep for you and your loved ones.



WASHING MACHINES AND DRYERS



WASHING MACHINES



 *inverter*
Stain Magic[★]

 *inverter*

INVERTER

Foodinverter washing machines offer significant advantages over conventional models. Thanks to inverter motor technology, these machines consume less electricity as the motor operates more efficiently and adapts to current washing needs. Additionally, the inverter motor allows for quieter operation, reduces vibrations, and extends the lifespan of the appliance. Compared to conventional washing machines, inverter models provide better control over washing speed and intensity, resulting in greater cleaning efficiency and lower maintenance costs.

Stain Magic[★]

STAIN MAGIC






A special program for removing stains from clothing. You can select one of the options: Food, Drink, Sports and Fitness, Workshop Stains, and Cosmetic or Blood Stains. Depending on the selected option, the machine optimally adjusts washing time, soaking, and water temperature to remove stains.

WFL-140816PMI

Width/Depth: 60/57 cm

Load Capacity (kg)	8
Spinning (rpm)	1400
Washing programs	16
Dimensions – W x H x D (cm)	59,5 x 85,0 x 56,5

- Inverter motor
- Stain Magic function (stain removal)
- Boost function (shorter wash)
- Quick wash 15 / 45 min
- LED display
- Timer – Delay wash
- Adjustable temperature and spin speed
- Energy efficiency A

	Food	Fruit, vegetables, jams...
	Drink	Juice, coffee, wine...
	Sport	Grass, sweat...
	Outdoors & Workers	Grease, mud...
	Beauty & Health	Makeup, wounds...



WASHING MACHINES



 *inverter*

WFL-140812CI

Width/Depth: 60/51 cm

Load Capacity (kg)

8

Spinning (rpm)

1400

Washing programs

12

Dimensions – W x H x D (cm)

59,5 x 85,0 x 51,0

- Inverter motor
- Quick wash 15 min
- Drum cleaning function
- Adjustable temperature and spin speed
- LED display
- Timer - Delay wash
- Energy efficiency A



 *inverter*

WFL-140712CI

Width/Depth: 60/48 cm

Load Capacity (kg)

7

Spinning (rpm)

1400

Washing programs

12

Dimensions – W x H x D (cm)

59,5 x 85,0 x 48,0

- Inverter motor
- Slim model
- Quick wash 15 min
- Drum cleaning function
- Adjustable temperature and spin speed
- LED display
- Timer - Delay wash
- Energy efficiency A

WASHING MACHINES



WFL-120812CD

Width/Depth: 60/51 cm

Load Capacity (kg)	8
Spinning (rpm)	1200
Washing programs	12
Dimensions – W x H x D (cm)	59,5 x 85,0 x 51,0

- Quick wash 15 min
- Drum cleaning function
- Adjustable temperature and spin speed
- LED display
- Timer - Delay wash
- Energy efficiency E



WFL-120712CD

Width/Depth: 60/48 cm

Load Capacity (kg)	7
Spinning (rpm)	1200
Washing programs	12
Dimensions – W x H x D (cm)	59,5 x 85,0 x 48,0

- Slim model
- Quick wash 15 min
- Drum cleaning function
- Adjustable temperature and spin speed
- LED display
- Timer - Delay wash
- Energy efficiency E

WASHING MACHINES



 inverter

WFL-120716CDS

Width/Depth: 60/48 cm

Load Capacity (kg)	7
Spinning (rpm)	1200
Washing programs	16
Dimensions — W x H x D (cm)	59,5 x 85,0 x 48,0

- Inverter motor
- Slim model
- Quick wash 15 / 42 min
- Drum cleaning function
- Adjustable temperature and spin speed
- Storm Wash (30% shorter program) / Steam Wash (steam cleaning)
- LED display
- Timer - Delay wash
- Energy efficiency E



WFL-120716CS

Width/Depth: 60/48 cm

Load Capacity (kg)	7
Spinning (rpm)	1200
Washing programs	16
Dimensions — W x H x D (cm)	59,5 x 85,0 x 48,0

- Slim model
- Quick wash 15 / 42 min
- Drum cleaning function
- Adjustable temperature and spin speed
- LED indicator
- Timer - Delay wash
- Energy efficiency E

WASHING MACHINES



WFL-100616CDS

Load Capacity (kg)

Width/Depth: 60/44 cm

Spinning (rpm)

6

Washing programs

1000

Dimensions – W x H x D (cm)

16

59,5 x 85,0 x 44,0

- Slim model
- Quick wash 15 / 42 min
- Drum cleaning function
- Adjustable temperature and spin speed
- LED display
- Timer - Delay wash
- Energy efficiency E



WFL-100616CS

Load Capacity (kg)

Width/Depth: 60/44 cm

Spinning (rpm)

6

Washing programs

1000

Dimensions – W x H x D (cm)

16

59,5 x 85,0 x 44,0

- Slim model
- Quick wash 15 / 42 min
- Drum cleaning function
- Adjustable temperature and spin speed
- LED indicator
- Timer - Delay wash
- Energy efficiency E

TOP-LOADING WASHING MACHINES



WTL-120715CB

Width/Depth: 40/61 cm

Load Capacity (kg)

7

Spinning (rpm)

1200

Washing programs

15

Dimensions – W x H x D (cm)

40,0 x 87,5 x 61,0

- Top loading
- Quick wash 15 / 45 min
- Energy efficiency C
- Child lock
- Adjustable spin speed
- LED indicators
- Timer - Delay wash



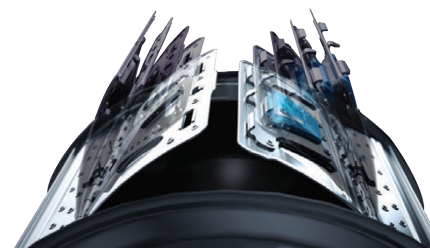
DIGITAL CONTROL

Digital control with adjustable spin speed, delay start, and child lock.



EASY LOADING

The washing machine's opening is large enough to ensure easy loading and unloading. The honeycomb drum technology provides effective washing while protecting clothing.



SOFT AND EASY OPENING DESIGN

The washing machine drum opens smoothly, allowing for easy loading of laundry.



DESIGN FOR ANY SPACE

VIVAX top-loading washing machines are ideal for small spaces. With its honeycomb drum, this machine reduces friction and ensures that every piece of clothing is perfectly washed and sparkling. Its compact size makes it perfect for small apartments and bathrooms.

WASHING MACHINE – DRYER



ROTARY DIAL

The control panel features a centrally located rotary dial for program selection and a large display. With just three simple steps, you can start the washing or drying process.



LED DISPLAY

The large LED display allows you to set the spin speed and washing temperature for each program. You can also adjust the drying intensity (iron-ready, garment refreshing, or drying for direct placement in the wardrobe).

WDF-1408D616BS

Width/Depth: 60/48 cm

Washing/drying capacity (kg)

8 / 6

Spin speed (rpm)

1400

Number of programs

16

Dimensions – W x H x D (cm)

59,5 x 85,0 x 47,5

- Washing machine-Condenser Dryer
- LED display
- 10 washing programs, 6 drying programs
- Program - wash and dry in 1 hour
- Adjustable drying levels: iron-ready, refresh, or wardrobe-ready
- 24-hour wash and dry delay
- Energy efficiency E



DRYERS



Heatpump
Magic Dry

CDR-0816MHP

Capacity (kg)

Width/Depth: 60/60 cm

8

Energy efficiency

A++

Number of programs

16

Dimensions – W x H x D (cm)

59,5 x 84,5 x 60,0

- LED display + LED indicators
- Drying delay with 24-hour shift
- 24-hour Delay function
- Magic Dry function for fabric maintenance
- Disinfection program with UV function
- Drum interior lighting
- Anti-wrinkle function
- Drying program: one shirt, up to 5 shirts
- Adjustable drying levels: iron-ready, garment refreshing, or wardrobe-ready

Heatpump

HEAT PUMP

A Heat Pump Dryer uses heat pump technology to dry clothes at lower temperature compared to traditional dryers.

Key benefits include energy efficiency and protection of delicate fabrics. This type of dryer recycles heat from the air, saving energy and reducing the risk of damaging clothes.

A heat pump dryer is significantly more efficient as it utilizes a closed-loop heat pump system for heating and cooling the air. In contrast, a traditional condenser dryer uses a conventional heater to warm the air, which then condenses moisture from the hot air circulating through the laundry.

Magic Dry

MAGIC DRY FUNCTION

The Magic Dry function ensures optimal drying while preserving the softness of your fabrics. Depending on the type of material, you can adjust the level of dryness for your laundry.



DRYERS



Heatpump

CDR-0816SHP

Width/Depth: 60/60 cm

Capacity (kg)

8

Energy efficiency

A++

Number of programs

16

Dimensions – W x H x D (cm)

59,5 x 84,5 x 60,0

- Condenser Dryer with Heat Pump
- LED display + LED indicators
- Drying delay with a 24-hour shift
- My Cycle - program with personally saved favorite settings
- Timer - Delay start



CDR-0816B

Width/Depth: 60/62 cm

Capacity (kg)

8

Energy efficiency

B

Number of programs

16

Dimensions – W x H x D (cm)

59,5 x 84,5 x 61,5

- Condenser Dryer
- LED display + LED indicators
- Drying delay with a 24-hour shift
- My Cycle - program with saved favorite settings

DISHWASHERS



DISHWASHERS



DW-601473C X

Width: 60 cm

Capacity (dish sets)	14
Number of programs	7
Number of baskets	3
Dimensions – W x H x D (cm)	59,8 x 84,5 x 60,0

- Half-load function, quick wash, extra drying, Timer
- Top and bottom rotating spray arms + top spray arm
- Upper + lower basket with folding supports
- Folding glass rack
- Adjustable upper basket height
- Overflow protection
- Stainless steel door
- Noise level: 47 dB
- Energy efficiency: E



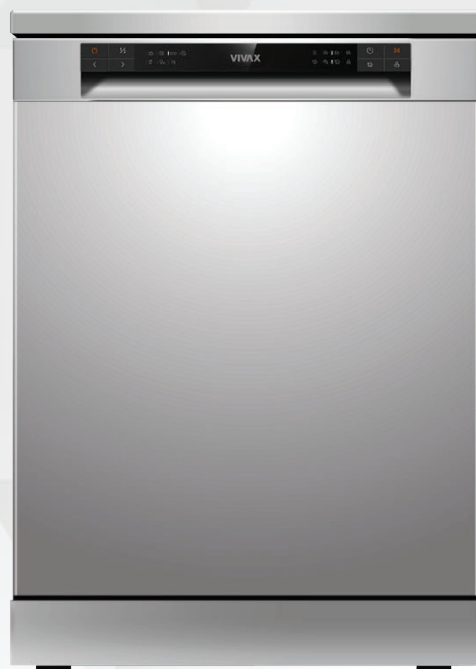
DW-601473C

Width: 60 cm

Capacity (dish sets)	14
Number of programs	7
Number of baskets	3
Dimensions – W x H x D (cm)	59,8 x 84,5 x 60,0

- Half-load function, quick wash, extra drying, Timer
- Top and bottom rotating spray arms + top spray arm
- Upper + lower basket with folding supports
- Folding glass rack
- Adjustable upper basket height
- Overflow protection
- White door
- Noise level: 47 dB
- Energy efficiency: E

DISHWASHERS



DW-601262C X

Capacity (dish sets)

Number of programs

Number of baskets

Dimensions – W x H x D (cm)

Width: 60 cm

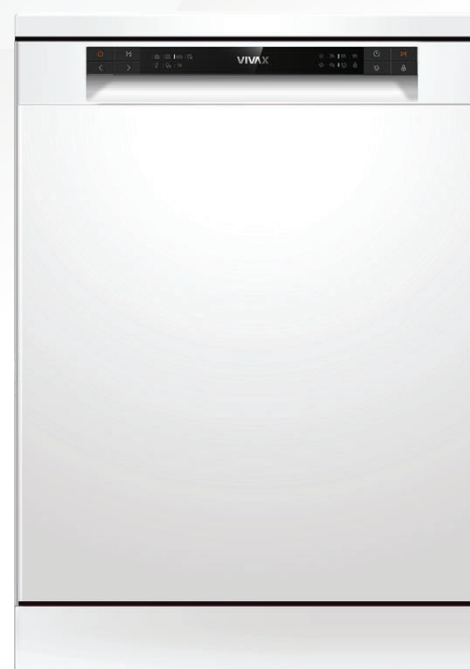
12

6

2

59,8 x 84,5 x 60,0

- Half-load function, extra drying, Timer
- Top and bottom rotating spray arms
- Upper + lower basket with fixed supports
- Folding cup rack in the upper basket
- Cutlery basket in the lower basket
- Overflow protection
- Stainless steel door
- Noise level: 55 dB
- Energy efficiency: E



DW-601262C

Capacity (dish sets)

Number of programs

Number of baskets

Dimensions – W x H x D (cm)

Width: 60 cm

12

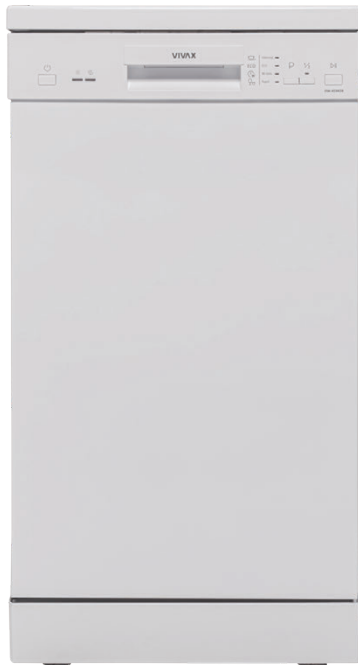
6

2

59,8 x 84,5 x 60,0

- Half-load function, Extra drying, Timer
- Top and bottom rotating spray arms
- Upper + lower basket with fixed supports
- Folding cup rack in the upper basket
- Cutlery basket in the lower basket
- Overflow protection
- White door
- Noise level: 55 dB
- Energy efficiency: E

DISHWASHERS



SETS



BASKETS

THIRD BASKET*

The third basket enhances the dishwasher's capacity, making it easier to load and organize cutlery and smaller items, optimizing your dishwashing efficiency.

GLASS RACK*

The easily accessible glass rack extends fully, allowing for hassle-free loading and unloading.

CUTLERY BASKET*

The cutlery basket keeps all cutlery organized, enhances washing efficiency, and makes storage and sorting easier.

FOLDABLE PLATE RACK*

The flexibility of the dishwasher is enhanced by adjustable racks with foldable plate holders, maximizing space usage for plates, cups, or glasses.



DW-45942B

Width: 45 cm

Capacity (dish sets)

9

Number of programs

4

Number of baskets

2

Dimensions – W x H x D (cm)

44,8 x 84,5 x 60,0

- Half-load function
- LED indicators
- Top and bottom rotating spray arms
- Upper + lower basket with folding supports
- Cutlery basket
- Folding cup rack
- Adjustable upper basket height
- Noise level: 49 dB
- Energy efficiency: E

CASTERS

Easily slide out baskets with the VIVAX caster system. No snagging.

For precise specifications, refer to the technical sheet of your model.

SELF STANDING COOKERS



COMBINED COOKERS



FC-31602 X

Cooking Hob

Width: 60 cm
3x Gas Burners +
1x Electric Hot Plate

Oven Capacity (L)

64

Oven Programs

5

Dimensions – W x H x D (cm)

59,5 x 88,0 x 65,0

- 3x Gas Burners
- 1x Electric Hot Plate
- Gas Leak Protection (FFD)
- Electric Ignition with Button
- Enamelled Racks
- Oven Convection Fan
- Maximum Oven Temperature: 250°C
- Energy Efficiency: A



FC-31602 BLX

Cooking Hob

Width: 60 cm
3x Gas Burners +
1x Electric Hot Plate

Oven Capacity (L)

64

Oven Programs

3

Dimensions – W x H x D (cm)

59,5 x 88,0 x 65,0

- 3x Gas Burners
- 1x Electric Hot Plate
- Gas Leak Protection (FFD)
- Electric Ignition with Button
- Enamelled Racks
- Maximum Oven Temperature: 250°C
- Energy Efficiency: A

COMBINED COOKERS



FC-31602IF WH

Cooking Hob

Width: 60 cm
3x Gas Burners +
1x Electric Hot Plate

Oven Capacity (L)

64

Oven Programs

5

Dimensions – W x H x D (cm)

59,5 x 88,0 x 65,0

- 3x Gas Burners
- 1x Electric Hot Plate
- Gas Leak Protection (FFD)
- Electric Ignition with Button
- Enamelled Racks
- Oven Convection Fan
- Maximum Oven Temperature: 250°C
- Energy Efficiency: A



FC-31602I WH

Cooking Hob

Width: 60 cm
3x Gas Burners +
1x Electric Hot Plate

Oven Capacity (L)

64

Oven Programs

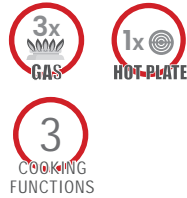
3

Dimensions – W x H x D (cm)

59,5 x 88,0 x 65,0

- 3x Gas Burners
- 1x Electric Hot Plate
- Gas Leak Protection (FFD)
- Electric Ignition with Button
- Enamelled Racks
- Maximum Oven Temperature: 250°C
- Energy Efficiency: A

COMBINED COOKERS



FC-31602 WH

Width: 60 cm

Cooking Hob

3x Gas Burners +
1x Electric Hot Plate

Oven Capacity (L)

64

Oven Programs

3

Dimensions – W x H x D (cm)

59,5 x 88,0 x 65,0

- 3x Gas Burners
- 1x Electric Hot Plate
- Gas Leak Protection (FFD)
- Enamelled Racks
- Maximum Oven Temperature: 250°C
- Energy Efficiency: A



FC-31502 WH

Width: 50 cm

Cooking Hob

3x Gas Burners +
1x Electric Hot Plate

Oven Capacity (L)

52

Oven Programs

3

Dimensions – W x H x D (cm)

49,5 x 88,0 x 65,0

- 3x Gas Burners
- 1x Electric Hot Plate
- Gas Leak Protection (FFD)
- Enamelled Racks
- Maximum Oven Temperature: 250°C
- Energy Efficiency: A

COMBINED COOKERS



FC-22602 WH

Width: 60 cm

Cooking Hob

2x Gas Burners +
2x Electric Hot Plate

Oven Capacity (L)

64

Oven Programs

3

Dimensions – W x H x D (cm)

59,5 x 88,0 x 65,0

- 2x Gas Burners
- 2x Electric Hot Plate
- Gas Leak Protection (FFD)
- Enamelled Racks
- Maximum Oven Temperature: 250°C
- Energy Efficiency: A



FC-22502 WH

Width: 50 cm

Cooking Hob

2x Gas Burners +
2x Electric Hot Plate

Oven Capacity (L)

52

Oven Programs

3

Dimensions – W x H x D (cm)

49,5 x 88,0 x 65,0

- 2x Gas Burners
- 2x Electric Hot Plate
- Gas Leak Protection (FFD)
- Enamelled Racks
- Maximum Oven Temperature: 250°C
- Energy Efficiency: A

ELECTRIC COOKERS



4x
HOT-PLATE

3
COOKING
FUNCTIONS



TEMPERATURE CONTROL

The rotary knobs on this oven allow for easy and precise adjustment of temperature and cooking modes. With an ergonomic design, they provide comfortable use and maximum control during cooking.



4 HOT PLATES

Four Hot plates of different sizes enable simultaneous cooking of multiple dishes. Designed for practicality and efficiency, this arrangement meets all your culinary needs.

FC-04602 WH

Cooking Hob

Width: 60 cm
4x Electric Hot Plate

Oven Capacity (L)

64

Oven Programs

3

Dimensions – W x H x D (cm)

59,5 x 88,0 x 65,0

- 4x Electric Hot Plate
- Enamelled Racks
- Maximum Oven Temperature: 250°C
- Energy Efficiency: A



ELECTRIC COOKERS



4x
HOT-PLATE

3
COOKING
FUNCTIONS



FC-04502 WH

Cooking Hob

Width: 50 cm
4x Electric Hot Plate

Oven Capacity (L)

52

Oven Programs

3

Dimensions – W x H x D (cm)

49,5 x 88,0 x 65,0

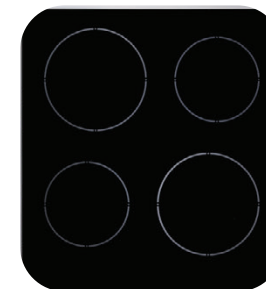
- 4x Electric Hot Plate
- Enamelled Racks
- Maximum Oven Temperature: 250°C
- Energy Efficiency: A



4x
HOT-PLATE
CERAMIC

FAN

5
COOKING
FUNCTIONS



FC-04502VCF WH

Cooking Hob

Width: 50 cm
4x Ceramic Hot Plate

Oven Capacity (L)

52

Oven Programs

5

Dimensions – W x H x D (cm)

49,5 x 88,0 x 65,0

- 4x Ceramic Hot Plate
- Enamelled Racks
- Maximum Oven Temperature: 250°C
- Energy Efficiency: A

GAS COOKERS



FC-40602I WH

Width: 60 cm

Cooking Hob	4x Gas Burners
Oven Capacity (L)	64
Oven Programs	3
Dimensions – W x H x D (cm)	59,5 x 88,0 x 65,0

- 4x Gas Burners
- Gas Leak Protection (FFD)
- Electric Ignition with Button
- Enamelled Racks
- Maximum Oven Temperature: 250°C
- Energy Efficiency: A

FC-04502I WH

Width: 50 cm

Cooking Hob	4x Gas Burners
Oven Capacity (L)	52
Oven Programs	3
Dimensions – W x H x D (cm)	50,0 x 85,0 x 65,0

- 4x Gas Burners
- Gas Leak Protection (FFD)
- Electric Ignition with Button
- Enamelled Racks
- Maximum Oven Temperature: 250°C
- Energy Efficiency: A

WATER HEATERS



WATER HEATERS



EWH-80VM

Volume (L)	80
Heating Power (W)	1500
Type of Tank	Enamelled Tank
Dimensions – W x H x D (cm)	45,0 x 80,5 x 47,0

- Energy Efficiency: C
- Capacity: 90 L of mixed water at 40°C
- Thermostat Control: Rotary Knob
- Load Profile: M
- Installation: Vertical



EWH-50VM

Volume (L)	50
Heating Power (W)	1500
Type of Tank	Enamelled Tank
Dimensions – W x H x D (cm)	38,5 x 77,0 x 40,5

- Energy Efficiency: C
- Capacity: 76 L of mixed water at 40°C
- Thermostat Control: Rotary Knob
- Load Profile: M
- Installation: Vertical

BUILT-IN MICROWAVE OVENS



BUILT-IN MICROWAVE OVENS



MWOB-2020G G

Cabinet width: 60 cm

Capacity: (L)	20
Power: (W)	1250
Control Function:	Digital
Dimensions – W x H x D (cm)	59,5 x 34,3 x 38,2

- LED Display
- Grill Function
- 8 Auto-Cooking Programs
- Defrost
- Child Safety Lock



MWOB-2015G X

Cabinet width: 60 cm

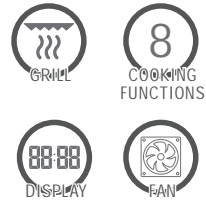
Capacity: (L)	20
Power: (W)	1250
Control Function:	Digital
Dimensions – W x H x D (cm)	59,5 x 34,3 x 38,2

- LED Display
- Grill Function
- 8 Auto-Cooking Programs
- Defrost
- Child Safety Lock

BUILT-IN OVENS



BUILT-IN OVENS

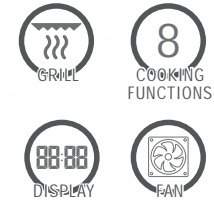


BO-658FXHTDI X

Cabinet width: 60 cm

Oven Capacity (L)	65
Power (W)	3000
Number of Cooking Programs	8
Dimensions – W x H x D (cm)	59,5 X 59,5 X 57,5

- Energy Efficiency A
- Digital White LCD Display
- Timer with Reminder
- Tangential Cooling Fan for Housing cooling
- „Pop-In/Out“ Retractable Knobs
- Convection Fan
- Removable Chrome Side Racks
- Maximum Oven Temperature 250 °C



BO-658FXHTDI G

Cabinet width: 60 cm

Oven Capacity (L)	65
Power (W)	3000
Number of Cooking Programs	8
Dimensions – W x H x D (cm)	59,5 X 59,5 X 57,5

- Energy Efficiency A
- Digital White LCD Display
- Timer with Reminder
- Tangential Cooling Fan for Housing cooling
- „Pop-In/Out“ Retractable Knobs
- Convection Fan
- Removable Chrome Side Racks
- Maximum Oven Temperature 250 °C

BUILT-IN OVENS



BO-608FAHTD X

Cabinet width: 60 cm

Oven Capacity (L)	60
Power (W)	2300
Number of Cooking Programs	7
Dimensions – W x H x D (cm)	59,5 X 59,5 X 58,7

- Energy Efficiency A
- Timer
- Digital Display
- Tangential Cooling Fan for Housing cooling
- Equipment: Chrome Rack Shelf, Shallow Tray
- Convection Fan
- Maximum Oven Temperature 240 °C



BO-606FAHTM X

Cabinet width: 60 cm

Oven Capacity (L)	60
Power (W)	2300
Number of Cooking Programs	5
Dimensions – W x H x D (cm)	59,5 X 59,5 X 58,7

- Energy Efficiency A
- Mechanical Timer-Reminder
- Tangential Cooling Fan for Housing cooling
- Equipment: Chrome Rack Shelf, Shallow Tray
- Tangential Cooling Fan for Housing cooling
- Maximum Oven Temperature 240 °C
- Convection Fan

BUILT-IN OVENS



3
COOKING
FUNCTIONS

BO-624MH X

Cabinet width: 60 cm

Oven Capacity (L)	62
Power (W)	2200
Number of Cooking Programs	3
Dimensions – W x H x D (cm)	59,5 X 57,5 X 59,7

- Energy Efficiency A
- Timer-Reminder
- Tangential Cooling Fan for Housing cooling
- Equipment: Chrome Rack Shelf, Shallow Tray
- Tangential Cooling Fan for Housing cooling
- Maximum Oven Temperature 240 °C



3
COOKING
FUNCTIONS

BO-624MH G

Cabinet width: 60 cm

Oven Capacity (L)	62
Power (W)	2200
Number of Cooking Programs	3
Dimensions – W x H x D (cm)	59,5 X 57,5 X 59,5

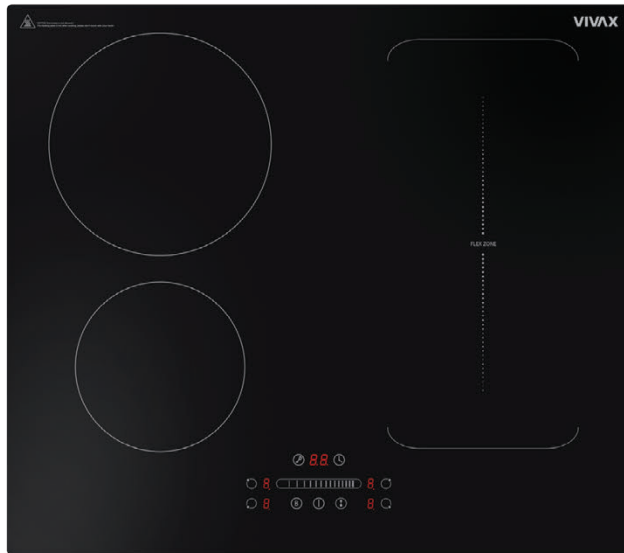
- Energy Efficiency A
- Tangential Cooling Fan for Housing cooling
- Equipment: Chrome Rack Shelf, Shallow Tray
- Tangential Cooling Fan for Housing cooling
- Maximum Oven Temperature 240 °C

BUILT-IN HOBS



BUILT-IN HOBS

INDUCTION



BH-04MFZIN

Cabinet width: 60 cm

Cooking Hob

4x induction + Flexi zone

Voltage

220-240 V AC /
380-415V 3N

Power (W)

7400

Dimensions – W x H x D (cm)

59,0 x 5,5 (0,4) x 52,0

- Flexible cooking zone, 18 x 38 cm
- Automatic safety shutdown if no pan is detected
- Residual heat indicator
- Child safety lock
- Boost function
- Pause cooking
- Timer for reminder and time-based shutdown of one or more zones, 1-99 min
- Error detection

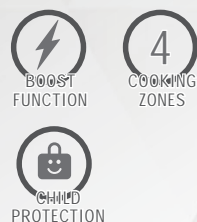
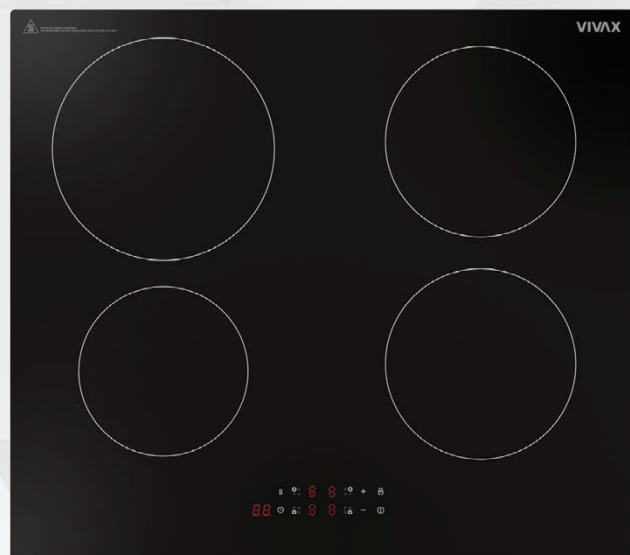
FLEXIBLE ZONE

The flexible cooking zone on induction cooktops is an advanced feature that allows users to utilize a larger cooking area compared to traditional induction zones. Instead of being restricted to several fixed, circular zones, the flexible zone enables the combination of multiple smaller zones into one larger, rectangular surface.

This feature allows you to use larger pots and pans that might not fit into standard zones. The flexible zone automatically detects the size of the cookware and heats only the area directly beneath it, ensuring even and efficient cooking.

BUILT-IN HOBS

INDUCTION



BH-04MIN

Cabinet width: 60 cm

Cooking Hob

4x induction

Voltage

220-240 V AC /
380-415V 3N

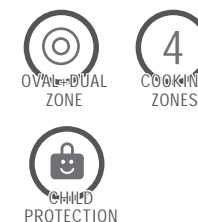
Power (W)

7200

Dimensions – W x H x D (cm)

59,0 x 6,2 (0,4) x 52,0

- Automatic safety shut-off if no cookware is detected
- Residual heat indicator for cooling down
- Child lock
- Boost function
- Cooking pause
- Timer for reminders and time-based shut-off for one or more zones (1-99 min)
- Error detection



BH-04MDOVC

Cabinet width: 60 cm

Cooking Hob

4x staklokeramika +
Dual zone + Oval zone

Voltage

220-240 V AC /
380-415V 3N

Power (W)

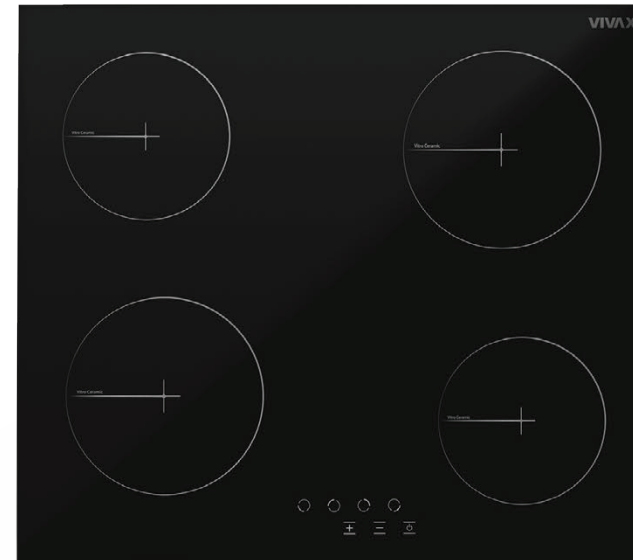
6000-7200

Dimensions – W x H x D (cm)

59,0 x 5,1 (0,4) x 52,0

- Automatic safety shut-off
- Overheating protection
- Residual heat indicator for cooling down
- Child lock
- Timer - Reminder
- Timer with automatic shut-off (max 99 min)

BUILT-IN HOBS



BH-04MVC

Cooking Hob

Voltage

Power (W)

Dimensions – W x H x D (cm)

Cabinet width: 60 cm

4x ceramic glass

220-240 V AC /
380-415V 3N

5500-6600

59,0 x 5,1 (0,4) x 52,0

- Automatic safety shut-off
- Overheating protection
- Residual heat indicator for cooling down
- Child lock
- Timer - Reminder
- Timer with automatic shut-off (max 99 min)

BH-04TVC

Cooking Hob

Voltage

Power (W)

Dimensions – W x H x D (cm)

Cabinet width: 60 cm

4x ceramic glass

230/400 V AC 3N

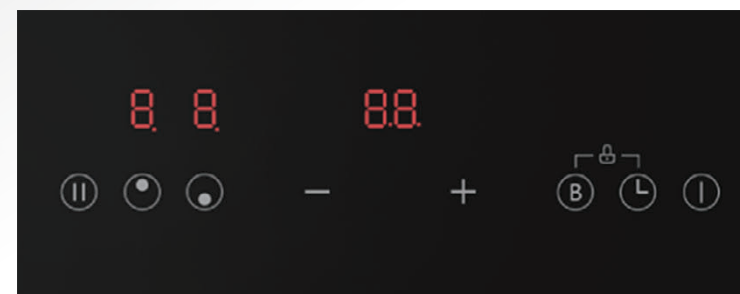
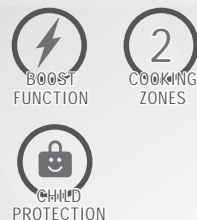
6000

59,0 x 5,5 (0,5) x 52,0

- Automatic safety shut-off
- Overheating protection
- Residual heat indicator for cooling down
- Child lock

BUILT-IN HOBS

INDUCTION



DIGITAL CONTROL

“Digital control allows users to select the exact power level for cooking or one of the advanced functions such as the “Boost” function, pause cooking, Timer, or safety lock. These cooktops often feature multiple temperature settings that enable various cooking techniques, from gentle warming to rapid cooking at high temperatures. The digital display and touch controls make it easier to keep the cooktop clean, as there are no physical buttons or switches where dirt can accumulate.”

BH-02MIN

Cabinet width: 30 cm

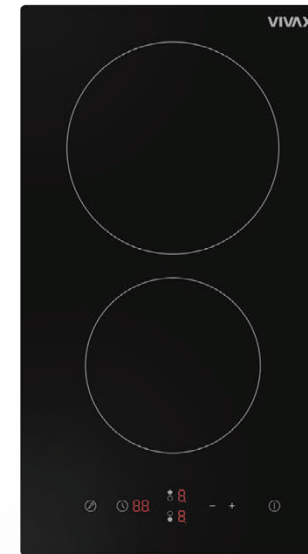
Cooking Hob	2x induction
Voltage	220-240 V AC
Power (W)	3500
Dimensions – W x H x D (cm)	28,8 x 5,5 (0,4) x 52,0

SAFETY

The Hob is equipped with built-in safety features, such as automatic shut-off after a certain period of inactivity or detection of the presence of cookware and overheating. Additionally, the cooktop surface cools down quickly once the cookware is removed, reducing the risk of burns.

- Automatic safety shut-off if no pan is detected
- Residual heat indicator for cooling down
- Child lock
- Boost function
- Pause cooking
- Timer
- Time-based shut-off for one or more zones (1-99 min)
- Error detection

BUILT-IN HOBS



BH-02TVC

Cooking Hob

Voltage

Power (W)

Dimensions – W x H x D (cm)

Cabinet width: 30 cm

2x ceramic glass +
Dual zone

220-240 V AC

2900

30,0 x 5,5 (0,5) x 52,0

- Dual zone
- Automatic safety shut-off
- Overheat protection
- Residual heat indicator
- Child safety lock
- 9 power levels

BH-02MVC

Cooking Hob

Voltage

Power (W)

Dimensions – W x H x D (cm)

Cabinet width: 30 cm

2x ceramic glass

220-240 V AC

2700-3300

28,8 x 5,5 (0,4) x 52,0

- Automatic safety shut-off
- Overheat protection
- Residual heat indicator
- Child safety lock
- Timer with automatic shut-off (max. 99 min)
- Timer

BUILT-IN HOBS



4
COOKING
ZONES

BH-40TEI G

Cabinet width: 60 cm

Cooking Hob

4x Gas Burners

Voltage

220-240 V AC

Power (W)

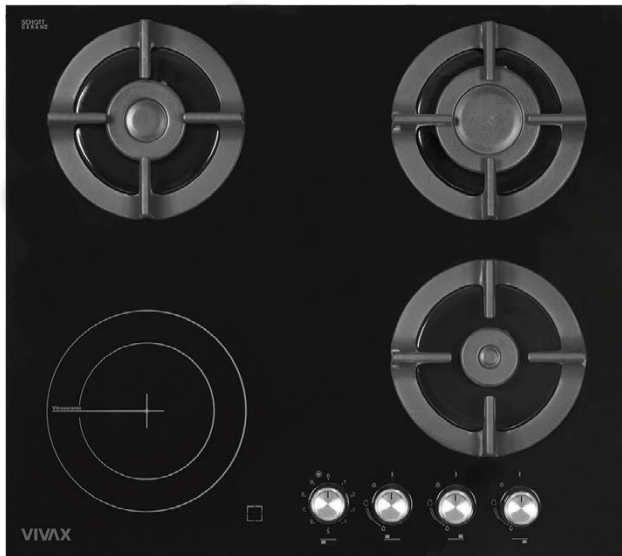
-

Dimensions – W x H x D (cm)

59,0 x 9,0 (5,0) x 52,0

- All-in-one electric ignition
- Flame failure device (FFD)

BUILT-IN HOBS



BH-31TVCCI G

Cooking Hob

Voltage

Power (W)

Dimensions – W x H x D (cm)

Cabinet width: 60 cm

3x Gas Burners + 1x Electric
Ceramic Hlate Plate

220-240 V AC

1700

59,0 x 9,0 (5,0) x 52,0

- Electronic ignition “all-in-one”
- Flame failure device (FFD)
- Ceramic glass dual zone



BH-31TEI X

Cooking Hob

Voltage

Power (W)

Dimensions – W x H x D (cm)

Cabinet width: 60 cm

3x Gas Burners + 1x Electric
Hot Hlate Plate

220-240 V AC

1500

59,0 x 9,0 (5,0) x 52,0

- Stainless steel
- All-in-one electric ignition
- Flame failure device (FFD)

KITCHEN HOODS



KITCHEN HOODS



CHO-60CSA210A GB

Width : 60 cm

Type of Hood	Chimney
Motor Power (W)	210
Air Flow Speeds	3
Control	Digital

- LED Lighting
- Filter Type: 5-Layer Aluminum
- Noise Level: 62/67 dB (min/max speed)
- Airflow: 592 m³/h
- Exhaust Duct Diameter: 15 cm
- Material: Glass
- Dimensions: W 59.5 x H 74.5-112.5 x D 39 cm
- Energy Efficiency: A



CHO-60CSA210A GW

Width : 60 cm

Type of Hood	Chimney
Motor Power (W)	210
Air Flow Speeds	3
Control	Digital

- LED Lighting
- Filter Type: 5-Layer Aluminum
- Noise Level: 62/67 dB (min/max speed)
- Airflow: 592 m³/h
- Exhaust Duct Diameter: 15 cm
- Material: Glass
- Dimensions: W 59.5 x H 74.5-112.5 x D 39 cm
- Energy Efficiency: A

KITCHEN HOODS



CHO-60CSA070A B

Width : 60 cm

Type of Hood

Chimney

Motor Power (W)

70

Air Flow Speeds

3

Control

Mechanical

- LED Lighting
- Filter Type: 5-Layer Aluminum
- Noise Level: 58/62 dB (min/max speed)
- Airflow: 337 m³/h
- Exhaust Duct Diameter: 15 cm
- Material: Painted metal
- Dimensions: W 59.5 x H 67.5-105.5 x D 28,5 cm
- Energy Efficiency: A



CHO-60CHA100T X

Width : 60 cm

Type of Hood

Chimney

Motor Power (W)

100

Air Flow Speeds

3

Control

Mechanical

- LED Lighting
- Filter Type: 3-Layer Aluminum
- Noise Level: 62/68 dB (min/max speed)
- Airflow: 283 m³/h
- Exhaust Duct Diameter: 15 cm
- Material: Stainless Steel
- Dimensions: W 59.6 x H 66.0-87.0 x D 45,3 cm
- Energy Efficiency: D

KITCHEN HOODS

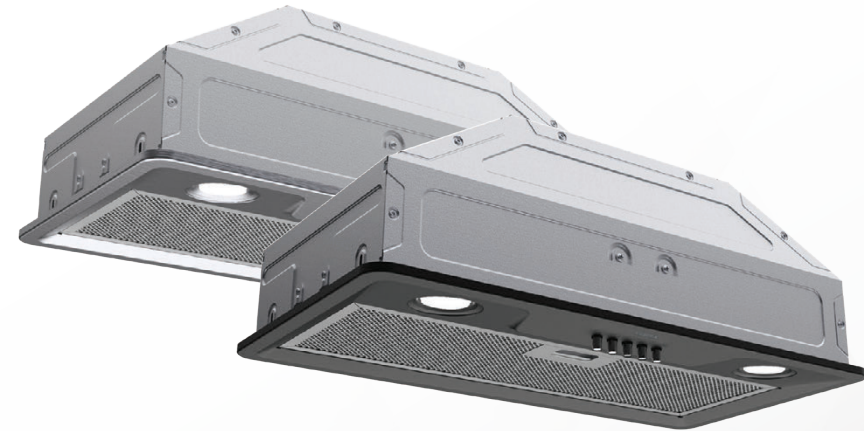


CHO-60PT100T X / CHO-60PT100T B

Cabinet width : 60 cm

Type of Hood	Built-in Telescopic
Motor Power (W)	100
Air Flow Speeds	2
Control	Mechanical

- Built-in Telescopic
- Mechanical
- LED Lighting
- Filter Type: 3-Layer Aluminum
- Noise Level: 55/64 dB (min/max speed)
- Airflow: 289 m³/h
- Exhaust Duct Diameter: 12 cm
- Material: Stainless Steel
- Dimensions: W 59,5 x H 17,6 x D 30,0-42,0 cm
- Energy Efficiency: D



CHO-60BI100T X / CHO-60BI100T B

Cabinet width : 60 cm

Type of Hood	Built-in
Motor Power (W)	100
Air Flow Speeds	3
Control	Mechanical

- LED Lighting
- Filter Type: 3-Layer Aluminum
- Noise Level: 60/67 dB (min/max speed)
- Airflow: 281 m³/h
- Exhaust Duct Diameter: 12 cm
- Material: Stainless Steel
- Dimensions: W 59,5 x H 17,6 x D 30,0-42,0 cm
- Energy Efficiency: D

BUILT-IN DISHWASHERS



BUILT-IN DISHWASHERS



DWB-450952C

Width: 45 cm

Dish Capacity (Sets)	9
Number of Programs	5
Number of Baskets	2
Dimensions – W x H x D (cm)	44,8 x 81,5 x 55,0

- Programs: Intensive, Universal, ECO, 90 min, Quick Wash
- Timer
- Half Load function
- LED Indicators
- Upper Rotating Spray Arm
- Overflow Protection + Aqua Stop
- Energy Efficiency: E
- Noise Level: 49 dB



DWB-601252C

Width: 60 cm

Dish Capacity (Sets)	12
Number of Programs	5
Number of Baskets	2
Dimensions – W x H x D (cm)	59,8 x 81,5 x 55,0

- Programs: Intensive, Universal, ECO, 90 min, Quick Wash
- Timer
- Half Load function
- LED Indicators
- Upper Rotating Spray Arm
- Overflow Protection + Aqua Stop
- Dimensions – W x H x D: 59.8 x 81.5 x 55.0 cm
- Energy Efficiency: E
- Noise Level: 55 dB

REFRIGERATORS



MODEL	CFS-516DFD X	CF-378DNF BG	CF-310EDNF X	CF-310ENF X	CF-259ELF W
Base Dimensions (cm)	84 x 190	60 x 197	60 x 188	60 x 188	60 x 188
Total Capacity (L)	516	378	310	310	262
Refrigerator (L)	347	256	224	224	197
Freezer (L)	169	122	86	86	65
Climate Class	SN / N / ST / T	SN / N / ST / T	SN / N / ST	SN / N / ST	N / ST
Freezer Star Rating	****	****	****	****	****
Energy Efficiency (A-G) / Noise Level (dB)	E / 35	E / 38	E / 42	E / 42	E / 39
Refrigerator Technology	NO FROST	NO FROST	NO FROST	NO FROST	Conventional cooling
Freezer Technology	NO FROST	NO FROST	NO FROST	NO FROST	Low Frost
FEATURES					
Material / Color	Inox / Inox Black	Glass / Black	Inox / Inox	Inox / Inox	Painted metal / White
Door Opening	-	Hinges factory-set on the right but reversible	Hinges factory-set on the right but reversible	Hinges factory-set on the right but reversible	Hinges factory-set on the right but reversible
Display	LED	LED	LED	LED	-
Temperature Control	Digital	Digital	Digital	Digital	Mechanic
Type of Interior Lighting	LED	LED	LED	LED	LED
OTHER FEATURES					
Shelves in the Refrigerator compartment	3	3	4	4	4
Drawers/Baskets in the Refrigerator compartment	3	2	1	1	1
Shelves in the Freezer compartment					
Drawers/Baskets in the Freezer compartment	2	3	3	3	3
Shelves in the Refrigerator Door		3	5	5	5
DIMENSIONS / WEIGHT					
Net Dimensions - W x H x D (cm) / Net Weight (kg)	83,5 x 190,0 x 65,0 / 101,0	59,5 x 203,0 x 65,5 / 73,0	59,5 x 188,0 x 63,0 / 58,5	59,5 x 188 x 63 / 58,5	54,5 x 180,0 x 58,0 / 46,5
Gross Dimensions - W x H x D (cm) / Gross Weight (kg)	89,7 x 196,0 x 71,0 / 111,0	66,0 x 204,0 x 70,4 / 80,0	65,7 x 191,0 x 68,8 / 65,0	65,7 x 191 x 68,8 / 65	65,7 x 191,0 x 68,8 / 51,5



CF-174ELF W / CF-174ELF S	DD-207E X / DD-207E S / DD-207E W	VL-235E W	TTR-93E+	TTR-93E	TTL-93E	MF-45E
47 x 150	55 x 143	55 x 142	48 x 85	48 x 85	48 x 85	48 x 50
174	204	230	80	93	93	43
115	163	230	68	93	93	43
59	41	-	12	-	-	-
N / ST	N / ST	N / ST	N / ST	N / ST / T	N / ST	N / ST
****	****	-	****	-	-	-
E / 39	E / 40	E / 40	E / 41	E / 41	E / 40	E / 41
Conventional cooling	Conventional cooling	Conventional cooling	Conventional cooling	Conventional cooling	Conventional cooling	Conventional cooling
Low Frost	Conventional cooling	-	Conventional cooling	Conventional cooling	-	Conventional cooling
Painted metal / White	Inox / Inox Painted metal / Silver Painted metal / White	Painted metal / White	Painted metal / White	Painted metal / White	Painted metal / White	Painted metal / White
Hinges factory-set on the right but reversible	Hinges factory-set on the right but reversible	Hinges factory-set on the right but reversible	Hinges factory-set on the right but reversible	Hinges factory-set on the right but reversible	Hinges factory-set on the right but reversible	Hinges factory-set on the right but reversible
-	-	-	-	-	-	-
Mechanic	Mechanic	Mechanic	Mechanic	Mechanic	Mechanic	Mechanic
LED	LED	LED				-
3	3	4	2	3	3	1
1	1	1	1	-	1	-
2	-	-	-	-	-	-
3	3	4	3	3	3	2
47,0 x 150,0 x 51,1 / 36,0	55,0 x 143,0 x 55,0 / 37,0	55,5 x 142,0 x 55,0 / 38,0	47,2 x 85,0 x 45,0 / 20,2	47,2 x 85,0 x 45,0 / 19,0	47,2 x 85,0 x 45,0 / 20	47,2 x 49,2 x 45,0 / 13,6
50,5 x 152,0 x 54,5 / 39,0	58,5 x 145,0 x 58,5 / 40,5	58,5 x 145,0 x 58,5 / 41,5	49,0 x 85,0 x 46,0 / 23,2	51,0 x 87,5 x 46,5 / 21,0	49,0 x 89,0 x 46,0 / 23,0	52,0 x 52,0 x 46,5 / 14,8

WINE COOLERS



MODEL	CW-094S30 GB	CW-144D46 GB
NET CAPACITY		
Total capacity (L)	94	144
Number of standard wine bottles	30	46
Number of zones	1	2
Temperature Zone 1 / Zone 2 (°C)	5-20 / -	5-18 / 5-18
Climate class	ST	N / ST / T
Energy efficiency (A-G)	G	G
Noise level (dB)	38	39
Cooling technology	-	NO FROST i No Frost Multi Air Flow
FEATURES		
Material / Color	Metal-glass / Black	Metal-glass / Black
Door opening	Hinges factory-set on the right but reversible	Hinges factory-set on the right but reversible
Display	LED	LED
Temperature control	Digitalna	Digitalna
Type of lighting	LED	LED
ADDITIONAL FEATURES		
Number of shelves in the refrigerator	1	2
Number of drawers/baskets in the refrigerator	3	5
DIMENSIONS / WEIGHT		
Net dimensions - W x H x D (cm)	47,5 x 83,4 x 44,5	59,5 x 86,5 x 65,0
Net weight (kg)	25,0	29,0
Gross dimensions - W x H x D (cm)	55,0 x 88,0 x 47,5	65,0 x 93,0 x 67,0
Gross weight (kg)	27,5	31,5

FREEZERS



MODEL	CFR-418	CFR-293	CFR-250	CFR-199	CFR-143	VF-157E W	TTF-60E	MFR-32E
NET CAPACITY								
Total capacity (L)	418	293	249	198	143	160	60	31
Climate class	SN / N / ST / T	SN / N / ST / T	SN / N / ST / T	SN / N / ST	SN / N / ST	N / ST	N / ST	N / ST
Freezer star rating	****	****	****	****	****	****	****	****
Energy efficiency (A-G)	E	E	E	E	E	E	E	E
Noise level (dB)	44	41	41	41	40	42	41	41
Technology	Conventional cooling	Conventional cooling	Conventional cooling	Conventional cooling	Conventional cooling	Conventional cooling	Conventional cooling	Conventional cooling
SPECIFICATIONS								
Material / Color	Painted metal / White	Painted metal / White	Painted metal / White	Painted metal / White	Painted metal / White	Painted metal / White	Painted metal / White	Painted metal / White
Door opening	Upwards	Upwards	Upwards	Upwards	Upwards	Hinges factory-set on the right but reversible	Hinges factory-set on the right but reversible	Hinges factory-set on the right but reversible
Display	LED	LED indicators	LED indicators	LED indicators	LED indicators	-	-	-
Temperature control	Digital	Mechanic	Mechanic	Mechanic	Mechanic	Mechanic	Mechanic	Mechanic
OTHER FEATURES								
Number of shelves in the freezer	-	-	-	-	-	1	-	1
Number of drawers/baskets in the freezer	2	2	2	1	1	5	3	-
DIMENSIONS / WEIGHT								
Net dimensions - W x H x D (cm)	141,6 x 82,5 x 75,0	106,5 x 84,4 x 59,2	98,5 x 85,0 x 60,0	77,0 x 85,0 x 56,0	60,0 x 85,0 x 56,0	55,0 x 142,0 x 55,0	47,5 x 84,5 x 44,6	47,2 x 49,2 x 45,0
Net weight (kg)	53,0	32,5	33,0	24,9	22,5	38	20,7	15,1
Gross dimensions - W x H x D (cm)	144,9 x 87,4 x 77,8	110,4 x 87,0 x 61,3	102,5 x 87,0 x 62,5	79,7 x 87,0 x 57,8	62,9 x 87,0 x 57,8	58,5 x 145,0 x 58,5	49,0 x 85,5 x 46,0	52,0 x 50,3 x 46,5
Gross weight (kg)	59,5	37,0	37,0	27,9	25,0	45,0	22,6	16,6

WASHING MACHINES



MODEL	WFL-140816PMI	WFL-140812CI	WFL-140712CI	WFL-120812CD
BASIC SPECIFICATIONS				
Motor type	Inverter	Inverter	Inverter	Classic
Washing Capacity (kg)	8	8	7	8
Spinning (rpm/min)	1400	1400	1400	1200
Washing programs	16	12	12	12
Loading Type	Front	Front	Front	Front
Energy Efficiency	A	A	A	E
Noise Level (dB)	72	76	76	76
Display	LED	LED	LED	LED
FEATURES				
Washing programs	Cotton, ECO 40°-60°, Mix, Synthetics, Baby Care, Quick 15', Quick 45', Sportswear, Jeans, Wash 20°C, Wool, Drum Clean, Spin, "Stain Magic" - Stain Removal, Boost - Quick Wash, Favorite Program (My Cycle)	Cotton, ECO 40°-60°, Sportswear, Bulky Items (Bedding etc.), Baby Care, Steam Wash, Mix, Quick 15', Cold Wash 20°C, Wool, Spin, Rinse and Spin	Cotton, ECO 40°-60°, Sportswear, Bulky Items (Bedding etc.), Baby Care, Steam Wash, Mix, Quick 15', Cold Wash 20°C, Wool, Spin, Rinse and Spin	Cotton, ECO 40°-60°, Mix, Underwear, Baby Care, Delicate, Bulky Items (Bedding etc.), Synthetics, Quick 15', Sportswear, Wool, Spin, Rinse and Spin
Buttons	Delay, Spin Speed, Temperature Adjustment/Lock, "Stain Magic" (Stain Removal), Function (Pre-Wash / Extra Rinse / Soaking), Boost (Shortened Wash), On/Off, Start/Pause	Spin Speed/Pre-Wash, Temperature Adjustment / Drum Clean, Delay, On/Off, Start/Pause	Spin Speed/Pre-Wash, Temperature Adjustment / Drum Clean, Delay, On/Off, Start/Pause	Spin Speed/Wash Delay, Temperature Adjustment/Lock, Rinse/Pre-Wash, On/Off, Start/Pause
ADDITIONAL FUNCTIONS				
Delay start	Yes	Yes, up to 24 h	Yes, up to 24 h	Yes
Temperature / Spin speed adjustment	Yes / Yes	Yes / Yes	Yes / Yes	Yes / Yes
Pre-wash / Extra rinse	Yes / Yes	Yes / No	Yes / No	No / Yes
DIMENSIONS / WEIGHT				
Net dimensions - W x H x D (cm)	59,5 x 85,0 x 56,5	59,5 x 85,0 x 51,0	59,5 x 85,0 x 48,0	59,5 x 85,0 x 51,0
Net weight (kg)	63,0	62,0	60,0	56,0
Gross dimensions - W x H x D (cm)	65,2 x 87,0 x 57,1	65,2 x 87,0 x 57,1	65,2 x 87,0 x 54,3	65,2 x 87,0 x 57,1
Gross weight (kg)	68,0	65,0	63,0	60,0



WFL-120712CD	WFL-120716CDS	WFL-120716CS	WFL-100616CDS	WFL-100616CS	WTL-120715CB
Clasic	Inverter	Clasic	Clasic	Clasic	Clasic
7	7	7	6	6	7
1200	1200	1200	1000	1000	1200
12	16	16	16	16	15
Front	Front	Front	Front	Front	Top
E	A	E	E	E	C
76	76	76	74	74	78
LED	LED	LED	LED	LED indicators	LED indicators
Cotton, ECO 40°-60°, Sportswear, Underwear, Wool, Bulky Items (Bedding etc.), Mix, Cold Wash 20°C, Baby Care, Quick 15', Spin, Rinse and Spin	Cotton, ECO 40°-60°, Mix, Underwear, Baby Care, Delicate, Bulky Items (Bedding etc.), Synthetics, Quick 15', Quick 42', Sportswear, Jackets, Wool, Drum Cleaning, Spin, Rinse and Spin	Cotton, ECO 40°-60°, Mix, Underwear, Baby Care, Delicate, Bulky Items (Bedding etc.), Synthetics, Quick 15', Quick 42', Sportswear, Jackets, Wool, Drum Cleaning, Spin, Rinse and Spin	Cotton, ECO 40°-60°, Mix, Underwear, Baby Care, Delicate, Bulky Items (Bedding etc.), Synthetics, Quick 15', Quick 42', Sportswear, Jackets, Wool, Drum Cleaning, Spin, Rinse and Spin	Cotton, ECO 40°-60°, Mix, Underwear, Baby Care, Delicate, Bulky Items (Bedding etc.), Synthetics, Quick 15', Quick 42', Sportswear, Jackets, Wool, Drum Cleaning, Spin, Rinse and Spin	Cold Cotton, Cotton 30°C, Cotton 40°C, Cotton 60°C, Hygienic Wash 90°, Delicate, ECO 40-60°C, Spin, Rinse and Spin, Jeans, Mix 60°C, Mix 40°C, Delicate 20°C, Quick Wash 45', Quick Wash 15'
Spin Speed, Temperature Adjustment/Drum Clean, Delay, On/Off, Start/Pause	Spin Speed/Delay, Temperature Adjustment/Lock, Rinse/Pre-wash, On/Off, Start/Pause	Spin Speed, Temperature Adjustment/Lock, Delay/Pre-wash, On/Off, Start/Pause	Spin Speed, Temperature Adjustment, Delay/Pre-wash, On/Off, Start/Pause	Spin Speed, Temperature Adjustment, Delay/, On/Off, Start/Pause	Spin Adjustment, Delay, Function Button, Start/Pause
Yes, up to 24 h	Yes	Yes	Yes, up to 24 h	Yes, up to 24 h	Yes, up to 24 h
Yes / Yes	Yes / Yes	Yes / Yes	Yes / Yes	Yes / Yes	No / Yes
No / No	Yes / Yes	Yes / Yes	Yes / Yes	No/ No	Yes / Yes
59,5 x 85,0 x 48,0	59,5 x 85,0 x 48,0	59,5 x 85,0 x 48,0	59,5 x 85,0 x 44,0	59,5 x 85,0 x 44,0	40,0 x 87,5 x 61,0
53,0	53,0	53,0	52,0	52,0	56,0
65,2 x 87,0 x 54,3	65,2 x 87,0 x 54,3	65,2 x 87,0 x 54,3	65,2 x 87,0 x 49,4	65,2 x 87,0 x 49,4	49,0 x 89,5 x 69,0
56,0	56,0	57,0	55,0	55,0	59,0

WASHER – DRYER MACHINE



MODEL	WDF-1408D616BS
BASIC FEATURES	
Type	Washer-Dryer
Washing Capacity (kg)	8
Drying Capacity (kg)	6
Spinning (rpm/min)	1400
Washing programs	16
Loading Type	Front
Energy Efficiency	E
Noise Level (dB)	76
Display	LED
FEATURES	
Washing programs	Quick Wash 15', Sensitive 20°C, Sportswear Wash, Jeans, Wool, ECO 40-60°C, Intensive, Spin Only, Rinse and Spin, Favorite Program (My Cycle)
Drying programs	Dry Only, Wash and Dry, Dry Mixed Fabrics, Dry Synthetics, Dry Cotton, Wash and Dry in 1 Hour
Buttons	Delay, Temperature Adjustment, Spin Speed Adjustment, Dryness Level, On/Off, Start/Pause
DIMENSIONS / WEIGHT	
Net dimensions - W x H x D (cm)	59,5 x 85,0 x 47,5
Net weight (kg)	65,0
Gross dimensions - W x H x D (cm)	65,0 x 88,5 x 55,5
Gross weight (kg)	68,0

DRAYER MACHINE



MODEL	CDR-0816MHP	CDR-0816SHP	CDR-0816B
BASIC FEATURES			
Type	Condenser tumble dryer with heat pump	Condenser tumble dryer with heat pump	Condenser tumble dryer
Capacity (kg)	8	8	8
Programs	16	16	16
Loading Type	Front	Front	Front
Energy Efficiency	A++	A++	B
Noise Level (dB)	65	65	69
Display	LED	LED	LED
FEATURES			
Drying programs	Extra Cotton, Standard, Iron Ready, Delicate, Mix, Extra Mix, Standard Mix Laundry, Refresh, Wardrobe Dry (Cool), Warm Dry, T-Shirts, Sportswear, Bedding, Jeans, Program with Favorite Settings (My Cycle)	Cotton, 1 T-shirt, up to 5 T-shirts, Wool, Bedding, Refresh, Timed Drying, Disinfection (Hygiene), Sportswear, Baby Clothes, Mix, Synthetics, Jeans, Program with Favorite Settings (My Cycle)	Cotton Extra, Cotton Standard Drying, Cotton Iron-Ready, Delicate, Mix, Synthetics Extra Drying, Synthetics Standard Drying, Wool, Quick Refresh, Cool Refresh, Quick Heated Drying, Jeans, Bedding, Sportswear, T-shirts, Program with Favorite Settings (My Cycle)
Buttons	Delay, Program duration adjustment, Anti-Crease, Laundry Dryness Intensity, On/Off, Start/Pause	"Magic Dry, Delay, Program duration adjustment, Lighting drum, Anti-Crease, On/Off end of program sound warning, On/Off, Start/Pause"	Delay Drying, Quick Program Duration Adjustment, Drying Intensity, Anti-Crease, On/Off, Start/Pause
DIMENSIONS / WEIGHT			
Net dimensions - W x H x D (cm)	59,5 x 84,5 x 60,0	59,5 x 84,5 x 60,0	59,5 x 84,5 x 61,5
Net weight (kg)	41,0	41,0	41,0
Gross dimensions - W x H x D (cm)	67,0 x 86,5 x 62,0	67,0 x 86,5 x 62,0	66,0 x 88,0 x 68,0
Gross weight (kg)	43,0	43,0	43,0

DISHWASHER



MODEL	DW-601473C X	DW-601473C
BASIC FEATURES		
Type	Freestanding dishwasher	Freestanding dishwasher
Capacity (Dish settings)	14	14
Programs	7	7
Energy efficiency	E	E
Noise level (dB)	47	47
Display	LED	LED
FEATURES		
Buttons	On/Off, Program Selection, Timer Adjustment +/- , Child Lock, Half Load, Function Button (F): Quick Wash and Extra Drying, Start/Pause	On/Off, Program Selection, Extra drying, Half load, Timer, Child lock, Start/Pause
Baskets	3	3
Upper / Bottom spray arm	Yes/Yes	Yes/Yes
Top spray nozzle	Yes	Yes
Basket accessories	Top and bottom basket with folding racks; Folding glass rack; 3rd shallow cutlery basket; Adjustable height for the top basket	Top and bottom basket with folding racks; Folding glass rack; 3rd shallow cutlery basket; Adjustable height for the top basket
Accessories	Salt Funnel, Connection hoses, User manual, Energy efficiency label, Length of drainage / supply hose / power cable: 1500mm / 1550mm / 1450mm; Installation and User Manual	Salt Funnel, Connection hoses, User manual, Energy efficiency label, Length of drainage / supply hose / power cable: 1500mm / 1550mm / 1450mm; Installation and User Manual
Overflow Protection	Yes	Yes
AquaStop on Water Supply	No	No
DIMENSIONS / WEIGHT		
Net Dimensions - W x H x D (cm)	59,8 x 84,5 x 60,0	59,8 x 84,5 x 60,0
Net Weight (kg)	43,0	43,0
Gross Dimensions - W x H x D (cm)	64,5 x 87,1 x 64,5	64,5 x 87,1 x 64,5
Gross Weight - W x H x D (cm)	48,0	48,0



DW-601262C X	DW-601262C	DW-45942B
Freestanding dishwasher	Freestanding dishwasher	Freestanding dishwasher
12	12	9
6	6	4
E	E	E
55	55	49
LED	LED	LED
On/Off, Program Selection, Extra draying, Half load, Timer, Child lock, Start/Pause	On/Off, Program Selection, Extra draying, Half load, Timer, Child lock, Start/Pause	"On/Off, Program Selection, Half load, Start/Pause"
2	2	2
Yes/Yes	Yes/Yes	Yes/Yes
No	No	No
Top and bottom basket with fixed racks; Folding cup rack in the top basket; Cutlery basket in the bottom basket	Top and bottom basket with fixed racks; Folding cup rack in the top basket; Cutlery basket in the bottom basket	Top and bottom basket with folding racks; Cutlery basket; Folding cup rack; Adjustable top basket height
Salt Funnel, Connection hoses, User manual, Energy efficiency label,	Salt Funnel, Connection hoses, User manual, Energy efficiency label,	Salt Funnel, Connection hoses, User manual, Energy efficiency label,
Yes	Yes	Yes
No	No	No
59,8 x 84,5 x 60,0	59,8 x 84,5 x 60,0	44,8 x 84,5 x 60,0
37,0	37,0	37,0
64,5 x 87,1 x 64,5	64,5 x 87,1 x 64,5	49,5 x 64,5 x 89,0
42,0	42,0	42,0

SELF STANDING COOKERS



MODEL	FC-31602 X	FC-31602 BLX	FC-31602IF WH	FC-31602I WH	FC-31602 WH	FC-31502 WH
BASIC FEATURES						
Type	Gas-Electric	Gas-Electric	Gas-Electric	Gas-Electric	Gas-Electric	Gas-Electric
Cooktop	3x Gas Burners + 1x Electric Hot Plate	3x Gas Burners + 1x Electric Hot Plate	3x Gas Burners + 1x Electric Hot Plate	3x Gas Burners + 1x Electric Hot Plate	3x Gas Burners + 1x Electric Hot Plate	3x Gas Burners + 1x Electric Hot Plate
Top Cover	Yes (Glass)	Yes (metal)	No	No	Yes (metal)	Yes (metal)
Energy Efficiency	A	A	A	A	A	A
COOKTOP						
Top support Grid	Enameled	Enameled	Enameled	Enameled	Enameled	Enameled
Top Left Surface power (W)	1000	1000	1000	1000	1000	1000
Power of Bottom Left Surface (W)	2500	2500	2500	2500	2500	2500
Power of Top Right Surface (W)	1700	1700	1700	1700	1700	1700
Power of Bottom Right Surface (W)	900	900	900	900	900	900
OVEN						
Oven Capacity (L)	64	64	64	64	64	52
Power of Bottom/Top Heater (W)	1300/850	1300/850	1300/850	1300/850	1300/850	800/650
Cooking Programs	5	3	5	3	3	3
Cooking Programs	Top, Bottom, Top and Bottom, Fan, Fan + Top, Light	Top, Bottom, Top and Bottom, Light	Top, Bottom, Top+Bottom, Fan, Fan+Top+Bottom, Light	Top, Bottom, Top and Bottom, Light	Top, Bottom, Top and Bottom, Light	Top, Bottom, Top and Bottom, Light
Oven Equipment	Flat enameled try, Chrome grid	Flat enameled try, Chrome grid	Flat enameled try, Chrome grid	Flat enameled try, Chrome grid	Flat enameled try, Chrome grid	Flat enameled try, Chrome grid
Convection Cooking Fan	Yes	No	Yes	No	No	No
Removable Oven Door Glass	Yes	Yes	Yes	Yes	Yes	No
DIMENSIONS / WEIGHT						
Net Dimensions - W x H x D (cm)	59,5 x 88,0 x 65,0	59,5 x 88,0 x 65,0	59,5 x 88,0 x 65,0	60,0 x 85,0 x 65,0	59,5 x 88,0 x 65,0	49,5 x 88,0 x 65,0
Net Weight (kg)	36,4	36,2	36,2	36,0	36,2	28,0
Gross Dimensions - W x H x D (cm)	66,5 x 89,0 x 70,0	66,5 x 89,0 x 70,0	66,5 x 89,0 x 70,0	66,5 x 89,0 x 70,0	66,5 x 89,0 x 70,0	56,5 x 89,0 x 70,0
Gross Weight (kg)	37,0	37,0	37,0	37,0	37,0	29,0



FC-22602 WH	FC-22502 WH	FC-04602 WH	FC-04502 WH	FC-04502VCF WH	FC-40602I WH	FC-04502I WH
Gas-Electric	Gas-Electric	Electric	Electric	Electric	Gas	Gas
2x Gas Burners + 2x Electric Hot Plate	2x Gas Burners + 2x Electric Hot Plate	4x Electric Hot Plate	4x Electric Hot Plate	4x Glass Ceramic Hot Plate	4x Gas Burners	4x Gas Burners
Yes (metal)	Yes (metal)	Yes (metal)	Yes (metal)	No	No	No
A	A	A	A	A	A	A
Enameled	Enameled	-	-	-	Enameled	Enameled
1500	1500	1500	1500	1800	1700	1700
1000	1000	1000	1000	1200	2500	1700
900	900	1000	1000	1200	1700	900
2500	2500	1500	1500	1800	900	2500
64	52	64	52	52	64	52
1300/850	800/650	1300/850	800/650	800/650	1300/850	1300/850
3	3	3	3	5	3	3
Top, Bottom, Top and Bottom, Light	Top, Bottom, Top and Bottom, Light	Top, Bottom, Top and Bottom, Light	Top, Bottom, Top and Bottom, Light	Top, Bottom, Top+Bottom, Fan, Fan+Top+Bottom, Light	Top, Bottom, Top and Bottom, Light	Top, Bottom, Top and Bottom, Light
Flat enameled try, Chrome grid	Flat enameled try, Chrome grid	Flat enameled try, Chrome grid	Flat enameled try, Chrome grid	Flat enameled try, Chrome grid	Flat enameled try, Chrome grid	Flat enameled try, Chrome grid
No	No	No	No	Yes	No	No
Yes	No	Yes	No	No	Yes	Yes
59,5 x 88,0 x 65,0	49,5 x 88,0 x 65,0	59,5 x 88,0 x 65,0	49,5 x 88,0 x 65,0	49,5 x 88,0 x 65,0	59,5 x 88,0 x 65,0	50,0 x 85,0 x 65,0
37,0	29,0	29,5	29,5	29,0	36,0	28,0
66,5 x 89,0 x 70,0	56,5 x 89,0 x 70,0	66,5 x 89,0 x 70,0	56,5 x 89,0 x 70,0	56,5 x 89,0 x 70,0	66,5 x 89,0 x 70,0	56,5 x 59,0 x 70,0
38,0	30,0	39,0	39,0	39,0	37,0	29,0

WATER HEATERS



MODEL	EWH-80VM	EWH-50VM
NET VOLUME		
Volume (L)	80	50
TECHNOLOGY		
Load Capacity (3XS - XXL)	M	M
Heater Power (W)	1500	1500
Average Consumption kWh / Annually (kWh/annum)	1420	1422
Noise Level During Heater Operation (dB)	15	15
Energy Efficiency	C	C
Quantity of Mixed Water at 40°C (L)	90	76
Default T out / Max. Thermostat T	58 / 75	74 / 75
CHARACTERISTICS		
Material / Color	Painted metal / Pearl mat white	Painted metal / Pearl mat white
Tank Type	Enamelled	Enamelled
Installation	Vertical	Vertical
Rotary Thermostat Knob	Yes	Yes
DIMENSIONS / WEIGHT		
Net Dimensions - W x H x D (cm)	45,0 x 80,5 x 47,0	38,5 x 77,0 x 40,5
Net Weight (kg)	24,0	17,5
Gross Dimensions - W x H x D (cm)	46,5 x 84,5 x 50,5	41,1 x 80,5 x 45,8
Gross Weight (kg)	28,1	20,1

BUILT-IN MICROWAVE OVENS



MODEL	MWOB-2020G G	MWOB-2015G X
NET VOLUME		
Volume (L)	20	20
Control	Digital	Digital
LED display	Yes	Yes
Grill function	Yes	Yes
Microwave power (W)	800	800
Grill power	1000	1000
FEATURES		
Additional functions	Quick start, Cooking, Grill/combi cooking, Defrosting by weight, Defrosting by time, Child lock, Auto-cook menu (8 programs), Multi-stage cooking	Quick start, Cooking, Grill/combi cooking, Defrosting by weight, Defrosting by time, Child lock, Auto-cook menu (8 programs), Multi-stage cooking
Material type - Door	Glass	Inox - Glass
Material type - Control panel	Glass	Inox - Glass
DIMENSIONS / WEIGHT		
Built-in dimensions - W x H x D (cm)	56,0 x 36,2 x 50,0	56,0 x 36,2 x 50,0
Net dimensions - W x H x D (cm)	59,5 x 34,3 x 38,2	59,5 x 34,3 x 38,2
Net weight (kg)	15,0	15,0
Gross dimensions - W x H x D (cm)	65,0 x 40,4 x 44,1	65,0 x 40,4 x 44,1
Gross weight (kg)	17,0	17,0

BUILT-IN OVENS



MODEL	BO-658FXHTD1 X	BO-658FXHTD1 G	BO-608FAHTD X
BASIC FEATURES			
Oven capacity (L)	65	65	60
Power (W)	3000	3000	2300
Cooking programs	8	8	7
Energy efficiency	A	A	A
Maximum oven temperature	250	250	240
Cooking programs	Lighting, Conventional heating (Top + Bottom heater), Low power grill, High power grill, Grill + fan, Bottom heater, Conventional heating + fan, Defrost, ECO mode	Lighting, Conventional heating (Top + Bottom heater), Low power grill, High power grill, Grill + fan, Bottom heater, Conventional heating + fan, Defrost, ECO mode	Defrost + Fan, Grill + Fan, Bottom heater + Fan, Conventional heating (Top + Bottom heater), Conventional heating (Top + Bottom heater) + Fan, Top heater + Fan, Grill
Timer	Yes	Yes	Yes
Digital display	Yes	Yes	Yes
Other features	Digital LCD display, Timer with reminder and programmable cooking according to duration or end time, Cabinet Cooling with a tangential fan, 'Pop-In/Out' retractable knobs, Convection Fan cooking	Digital LCD display, Timer with reminder and programmable cooking according to duration or end time, Cabinet Cooling with a tangential fan, 'Pop-In/Out' retractable knobs, Convection Fan cooking	White digital LCD display, Timer with reminder and programmable cooking according to duration or end time, Cabinet Cooling with a tangential fan, 'Pop-In/Out' retractable knobs, Convection Fan cooking, Grill cooking
Oven rack guides	Removable chrome guide	Removable chrome guide	Removable chrome guide
Oven accessories	Chrome grid, Flat enamelled try	Chrome grid, Flat enamelled try	Chrome grid, Flat enamelled try
Convection Cooking Fan	Yes	Yes	Yes
Oven tangential cooling fan	Yes	Yes	Yes
Removable oven door glass	Yes	Yes	Yes
Oven handle	Aluminum	Aluminum	Inox
DIMENSIONS / WEIGHT			
Built-in dimensions - W x H x D (cm)	56,0 x 59,0 x 55,0	56,0 x 59,0 x 55,0	56,0 x 59,0 x 55,0
Net dimensions - W x H x D (cm)	59,5 x 59,5 x 57,5	59,5 x 59,5 x 57,5	59,5 x 59,5 x 58,7
Net weight (kg)	29,0	28,8	29,0
Gross dimensions - W x H x D (cm)	64,8 x 67,0 x 68,8	64,8 x 67,0 x 68,8	64,0 x 62,0 x 65,0
Gross weight (kg)	32,0	31,8	32,0



BO-606FAHTM X	BO-624MH X	BO-624MH G
60	62	62
2300	2200	2200
5	3	3
A	A	A
240	240	240
Lighting, Defrost, Top heater, Conventional heating (Top + Bottom heater), Conventional heating + Fan, Bottom heater + Fan	Lighting, Top heater, Conventional heating (Top + Bottom heater), Bottom heater	Lighting, Top heater, Conventional heating (Top + Bottom heater), Bottom heater
Yes	No	No
No	No	No
Mechanical timer with reminder, Cabinet Cooling with a tangential fan, Convection Fan cooking	Cabinet Cooling with a tangential fan	Cabinet Cooling with a tangential fan
Removable chrome guide	Imbedded into cavity	Imbedded into cavity
Chrome grid, Flat enamelled try	Chrome grid, Flat enamelled try	Chrome grid, Flat enamelled try
Yes	Yes	Yes
Yes	No	No
Yes	Yes	Yes
Inox	Painted metal	Painted metal
56,0 x 59,0 x 55,0	56,0 x 59,0 x 55,0	56,0 x 59,0 x 55,0
59,5 x 59,5 x 58,7	59,5 x 59,5 x 58,7	59,5 x 59,5 x 58,7
29,0	28,8	28,6
64,0 x 62,0 x 65,0	64,0 x 62,0 x 65,0	64,0 x 62,0 x 65,0
32,0	31,8	31,6

BUILT-IN HOBS



MODEL	BH-04MFZIN	BH-04MIN	BH-04MDOVC	BH-04TVC	BH-04MVC
BASIC FEATURES					
Cooktop	4x induction	4x induction	4x ceramic hot plates	4x ceramic hot plates	4x ceramic hot plates
Top surface material	Glass ceramic	Glass ceramic	Glass ceramic	Glass ceramic	Glass ceramic
Additional functions	Automatic safety shutdown if no cookware is detected, Residual heat indicator while cooling, Child safety lock, "Boost" function, Pause cooking, Timer for reminders and Timer for one or more zones (1-99 minutes), Error detection	Automatic safety shutdown if no cookware is detected, Residual heat indicator while cooling, Child safety lock, "Boost" function, Pause cooking, Timer for reminders and Timer for one or more zones (1-99 minutes), Error detection	Automatic safety shutdown if no cookware is detected, Residual heat indicator while cooling, Child safety lock, Pause cooking, Timer for reminders and Timer for one or more zones (1-99 minutes)	Automatic safety shutdown if no cookware is detected, Residual heat indicator while cooling, Child safety lock	Automatic safety shutdown if no cookware is detected, Residual heat indicator while cooling, Child safety lock, Pause cooking, Timer for reminders and Timer for one or more zones (1-99 minutes)
Power of the top left zone (W)	2400 / 2600 (Boost)	2300 / 2600 (Boost)	1200	1200	1200
Power of the bottom left zone (W)	1400 / 1500 (Boost)	1300 / 1500 (Boost)	1000/2200	1800	1800
Power of the top right zone (W)	1800 / 2000 (Bost) / Flex zone 3000/3600W (Boost)	1800 / 2000 (Boost)	1100/2000	1800	1800
Power of the bottom right zone (W)	1800 / 2000 (Bost) / Flex zone 3000/3600W (Boost)	1800 / 2000 (Boost)	1200	1200	1200
Diameter of the top left zone (cm)	21,0	21,0	16,5	18,5	16,5
Diameter of the bottom left zone (cm)	16,0	16,0	23,0 / 14,0	15,5	20,0
Diameter of the top right zone (cm)	18,0	18,0	27,0 x 16,5	15,5	20,0
Diameter of the bottom right zone (cm)	18,0	18,0	16,5	18,5	16,5
Number of rapid-heating electric zone	-	-	-	-	-
DIMENSIONS / WEIGHT					
Built-in dimensions - W x H x D (cm)	52,0 x 59,0	52,0 x 59,0	52,0 x 59,0	56,0 x 48,0	52,0 x 59,0
Net dimensions - W x H x D (cm)	59,0 x 5,5 (0,4) x 52,0	59,0 x 6,2 (0,4) x 52,0	59,0 x 5,1 (0,4) x 52,0	59,0 x 5,5 (0,5) x 52,0	59,0 x 5,1 (0,4) x 52,0
Net weight (kg)	8,5	8,5	8,5	8,5	8,5
Gross dimensions - W x H x D (cm)	65,5 x 11,2 x 58,0	65,5 x 11,2 x 58,0	69,0 x 11,5 x 64,5	63,0 x 10,0 x 57,0	69,0 x 11,5 x 64,5
Gross weight (kg)	10,0	10,0	10,0	10,0	10,0

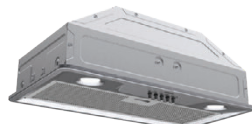


BH-02MIN	BH-02MVC	BH-02TVC	BH-40TEI G	BH-31TVCCI G	BH-31TEI X
2x induction	2x ceramic hot plates	2x ceramic hot plates	4x Gas Burners	3x Gas Burners + 1x Electric Hot Plate	3x Gas Burners + 1x Electric Hot Plate
Glass ceramic	Glass ceramic	Glass ceramic	Glass ceramic	Inox	Inox
Automatic safety shutdown if no cookware is detected, Residual heat indicator while cooling, Child safety lock, "Boost" function, Pause cooking, Timer for reminders and Timer for one or more zones (1-99 minutes), Error detection	Automatic safety shutdown if no cookware is detected, Residual heat indicator while cooling, Child safety lock, Pause cooking, Timer for reminders and Timer for one or more zones (1-99 minutes)	Dual zone, Automatic safety shutdown if no cookware is detected, Residual heat indicator while cooling, Child safety lock	Electronic ignition "all-in-one", Flame failure device (FFD)	Electronic ignition "all-in-one", Flame failure device (FFD)	Electronic ignition "all-in-one", Flame failure device (FFD)
1800 / 2000 (Boost) - Top zone	1800 - gornja zona	700/1700	1700	1700	2000
1350 / 1500 (Boost) - Top zone	1200 - donja zona	1200	2900	700/1700	1700
-	-	-	1700	2900	2900
-	-	-	950	950	950
16,0	16,5	18,5	-	-	-
18,0	20,0	15,5	-	-	-
-	-	-	-	-	-
-	-	-	-	-	-
-	-	-	-	-	1
27,0 x 50,0	27,0 x 49,0	27,0 x 49,0	56,0 x 49,0	56,0 x 49,0	56,0 x 49,0
28,8 x 5,5 (0,4) x 52,0	28,8 x 5,5 (0,4) x 52,0	30,0 x 5,5 (0,5) x 52,0	59,0 x 9,0 (5,0) x 52,0	59,0 x 9,0 (5,0) x 52	59,0 x 9,0 (5,0) x 52,0
4,2	4,6	4,6	9,0	11,0	9,0
37,2 x 11,2 x 58,4	35,0 x 13,0 x 58,1	34,0 x 10,0 x 57,0	63,5 x 16,0 x 61,5	63,5 x 16,0 x 61,5	63,5 x 16,0 x 61,5
5,5	5,9	5,9	11,0	13,0	11,0

COOKER HOODS



MODEL	CHO-60CSA210A GB	CHO-60CSA210A GW	CHO-60CSA070A B	CHO-60CHA100T X
BASIC FEATURES				
Hood type	Chimney	Chimney	Chimney	Chimney
Motor power (W)	210	210	70	100
Number of air flow speeds	3	3	3	3
Control	Digital	Digital	Mechanic	Mechanic
Energy efficiency	A	A	A	D
Lighting	LED	LED	LED	LED
Type of filter	5-layer aluminum	5-layer aluminum	5-layer aluminum	3-layer aluminum
Noise level - min/max speed (dB)	62/67	62/67	58/62	62/68
Air flow (m³/h)	592	592	337	283
Diameter of exhaust connection (cm)	15	15	15	15
Material	Glass	Glass	Painted metal	Inox
Color	Black	White	Black	Silver
DIMENSIONS / WEIGHT				
Installation dimensions - W x H x D (cm)	-	-	-	-
Net dimensions - W x H x D (cm)	59,5 x 74,5-112,5 x 39,0	59,5 x 74,5-112,5 x 39,0	59,5 x 67,5-105,5 x 28,5	59,6 x 66,0-87,0 x 45,3
Net weight (kg)	12,5	12,5	7,8	5,0
Gross dimensions - W x H x D (cm)	65,0 x 46,0 x 44,0	65,0 x 46,0 x 44,0	32,0 x 43,5 x 36,0	65,0 x 53,8 x 24,0
Gross weight (kg)	14,7	14,7	9,5	6,1



CHO-60PT100T X	CHO-60PT100T B	CHO-60BI100T X	CHO-60BI100T B
Built-in telescopic	Built-in telescopic	Built-in	Built-in
100	100	100	100
2	2	3	3
Mechanic	Mechanic	Mechanic	Mechanic
D	D	D	D
LED	LED	LED	LED
3-layer aluminum	3-layer aluminum	3-layer aluminum	3-layer aluminum
55/64	55/64	60/70	60/70
289	289	281	281
12	12	12	12
Inox	Painted metal	Inox	Painted metal
Silver	Black	Silver	Black
50,0 x 28,0	50,0 x 28,0	49,7 x 24,4	49,7 x 24,4
59,5 x 17,6 x 30,0-42,0	59,5 x 17,6 x 30,0-42,0	52,5 x 20,3 x 27,5	52,5 x 20,3 x 27,5
5,2	5,2	3,5	3,5
65,0 x 36,8 x 23,7	65,0 x 36,8 x 23,7	56,8 x 25,4 x 33,5	56,8 x 25,4 x 33,5
6,2	6,2	4,3	4,3

BUILT-IN DISH WASHERS

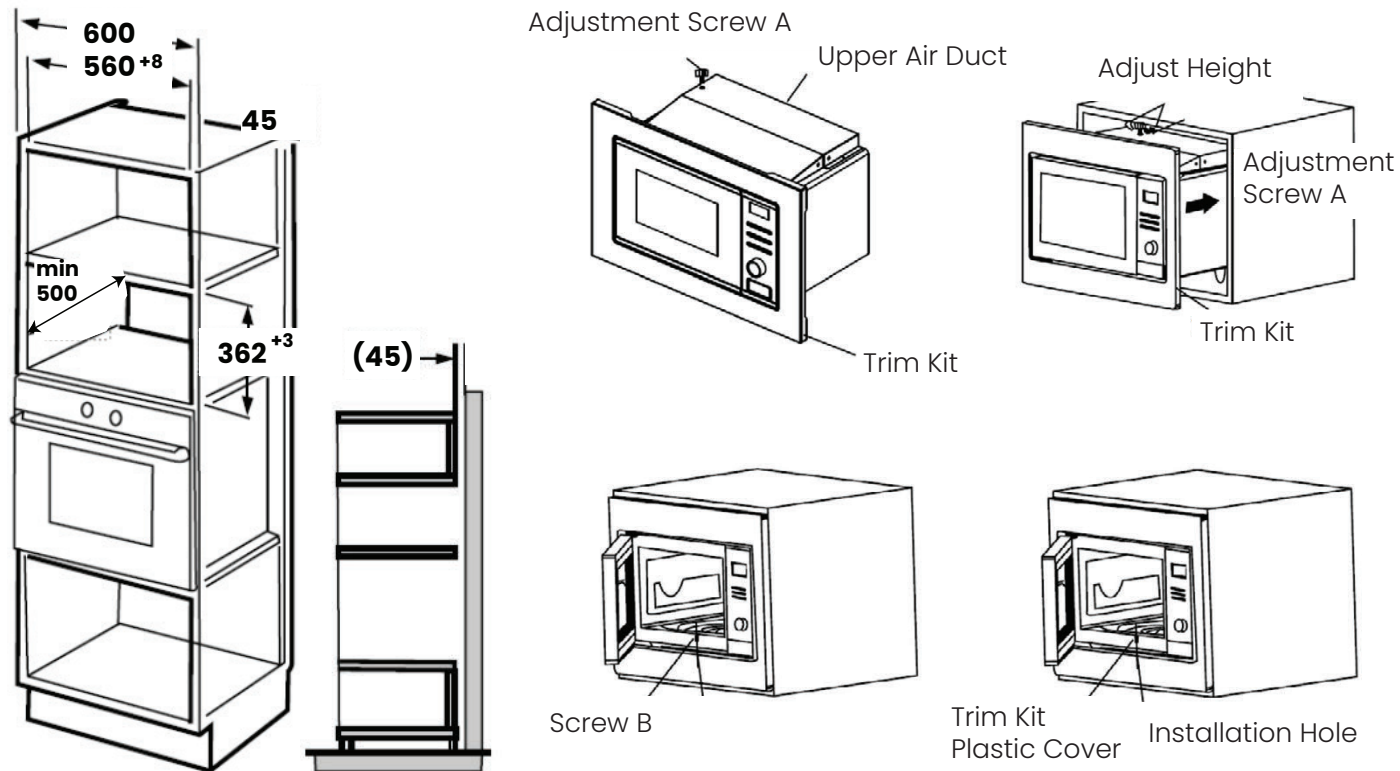


MODEL	DWB-450952C	DWB-601252C
BEASIC FEATURES		
Capacity (Dish settings)	9	12
Programs	5	5
Number of Baskets	2	2
Energy Efficiency	E	E
Noise Level (dB)	49	55
Programs	Intensive, Universal, ECO, 90 min, Quick Wash	Intensive, Universal, ECO, 90 min, Quick Wash
Buttons	On/Off, Program Selection, Half Load, Timer	On/Off, Program Selection, Half Load, Timer
Display	LED indicators	LED indicators
Upper spray arm	Yes	Yes
Bottom spray arm	Yes	Yes
Top Spray nozzle	No	No
Basket accessories	Upper basket with fixed racks, Folding cutlery shelf and folding cup holder in the upper basket, Lower basket with folding racks, cutlery basket in the lower basket, Adjustable height of the upper basket	Upper basket with fixed racks, Folding cutlery shelf and folding cup holder in the upper basket, Lower basket with folding racks, cutlery basket in the lower basket, Adjustable height of the upper basket
Accessories	"Installation kit (screws, brackets, protective sticker for the worktop), funnel for salt; Length of drain / supply hose with Aqua Stop device / power cable: 1400mm / 1500mm / 1500mm; User and installation instructions"	"Installation kit (screws, brackets, protective sticker for the worktop), funnel for salt; Length of drain / supply hose with Aqua Stop device / power cable: 1400mm / 1500mm / 1500mm; User and installation instructions"
Overflow Protection	Yes	Yes
AquaStop on Water Supply	Yes	Yes
DIMENSIONS / WEIGHT		
Built-in Dimensions - W x H x D (cm)	Otvor min. 45,0 x 82,0	Otvor min. 60,0 x 82,0
Net Dimensions - W x H x D (cm)	44,8 x 81,5 x 55,0	59,8 x 81,5 x 55,0
Net Weight (kg)	30,5	38,8
Gross Dimensions - W x H x D (cm)	49,5 x 87,1 x 64,5	64,5 x 87,1 x 64,5
Gross Weight (kg)	42,0	42,0

INSTALLATION DRAWINGS

BUILT-IN MICROWAVE OVENS

MWOB-2020G G MWOB-2015G X



INSTALLATION DRAWINGS

BUILT-IN OVENS

BO-658FXHTD1 X

BO-658FXHTD1 G

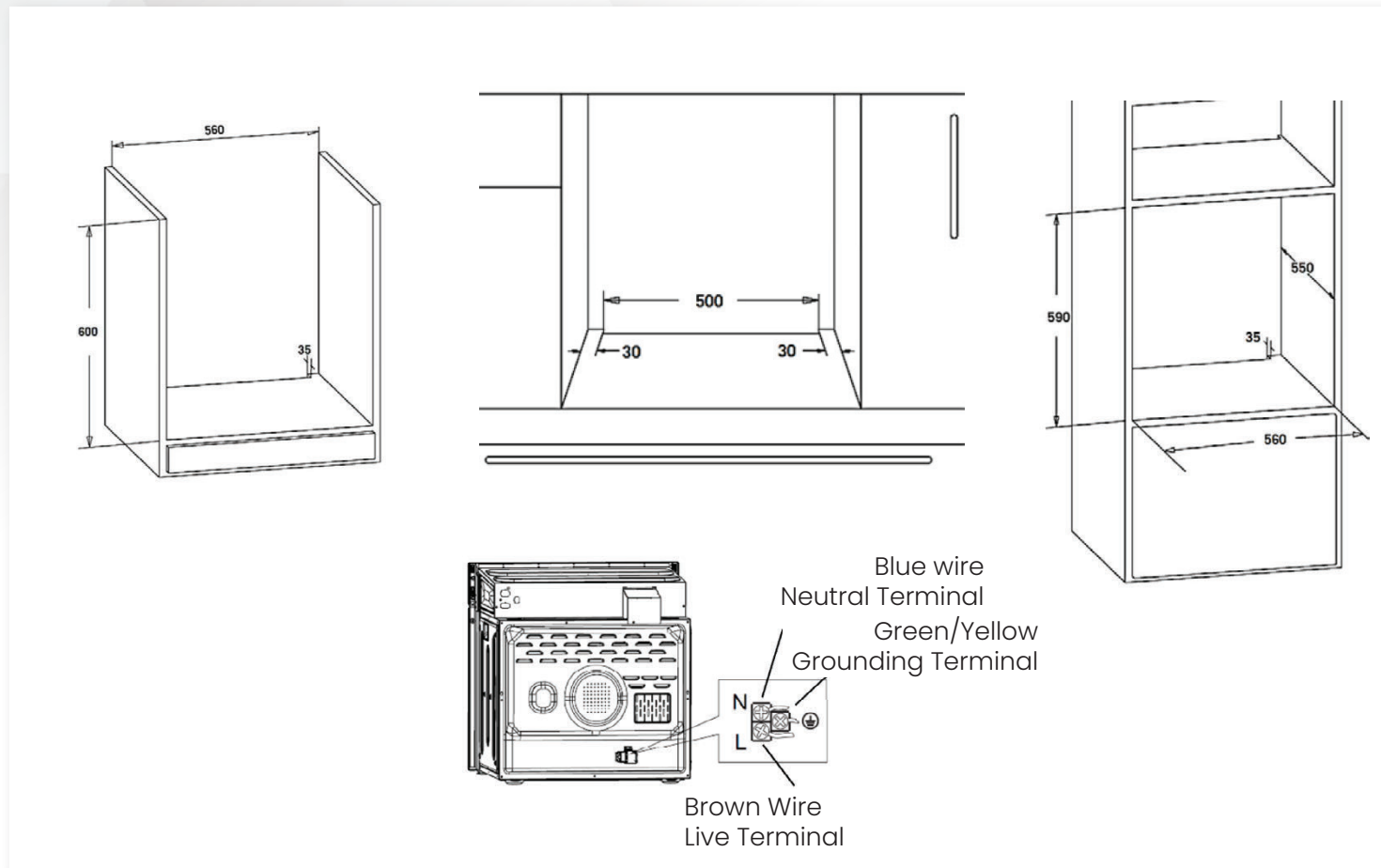
BO-608FAHTD X

BO-608FAHTD GW

BO-606FAHTM X

BO-624MH X

BO-624MH G



INSTALLATION DRAWINGS

BUILT-IN COOKTOPS

BH-04MFZIN

BH-04MIN

BH-04MDOVC

BH-04MVC

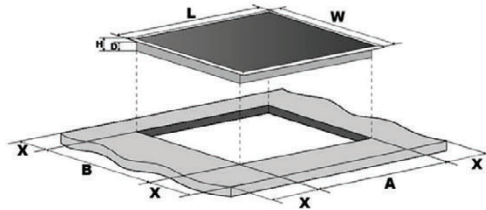
BH-04TVC

BH-40TEI G

BH-31TEI X

BH-31TVCCI G

BH-312EI X



BH-04MFZIN

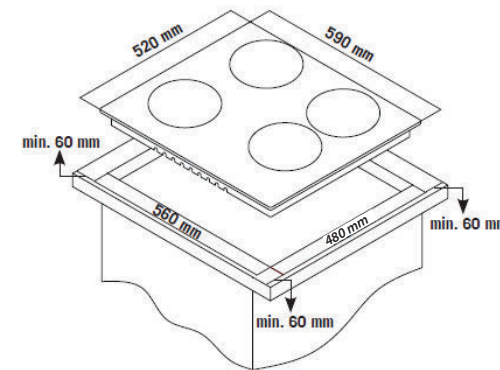
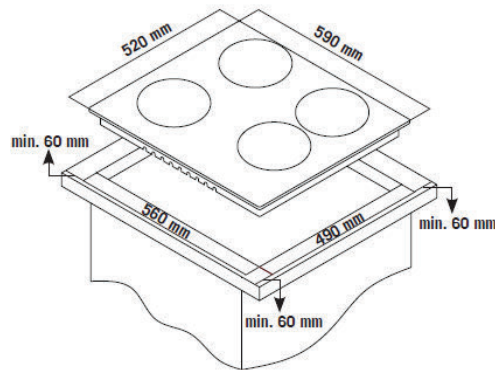
BH-04MIN

L(mm)	W(mm)	H(mm)	D(mm)	A(mm)	B(mm)	X(mm)	F(mm)
590	520	62	58	560+4 +1	490+4 +1	50 min	3 min.

BH-04MDOVC

BH-04MVC

L(mm)	W(mm)	H(mm)	D(mm)	A(mm)	B(mm)	X(mm)	F(mm)
590	520	51	47	560+2 -2	480+2 -2	50 min	3 min.



BH-04TVC

BH-40TEI G

BH-31TEI X

BH-31TVCCI G

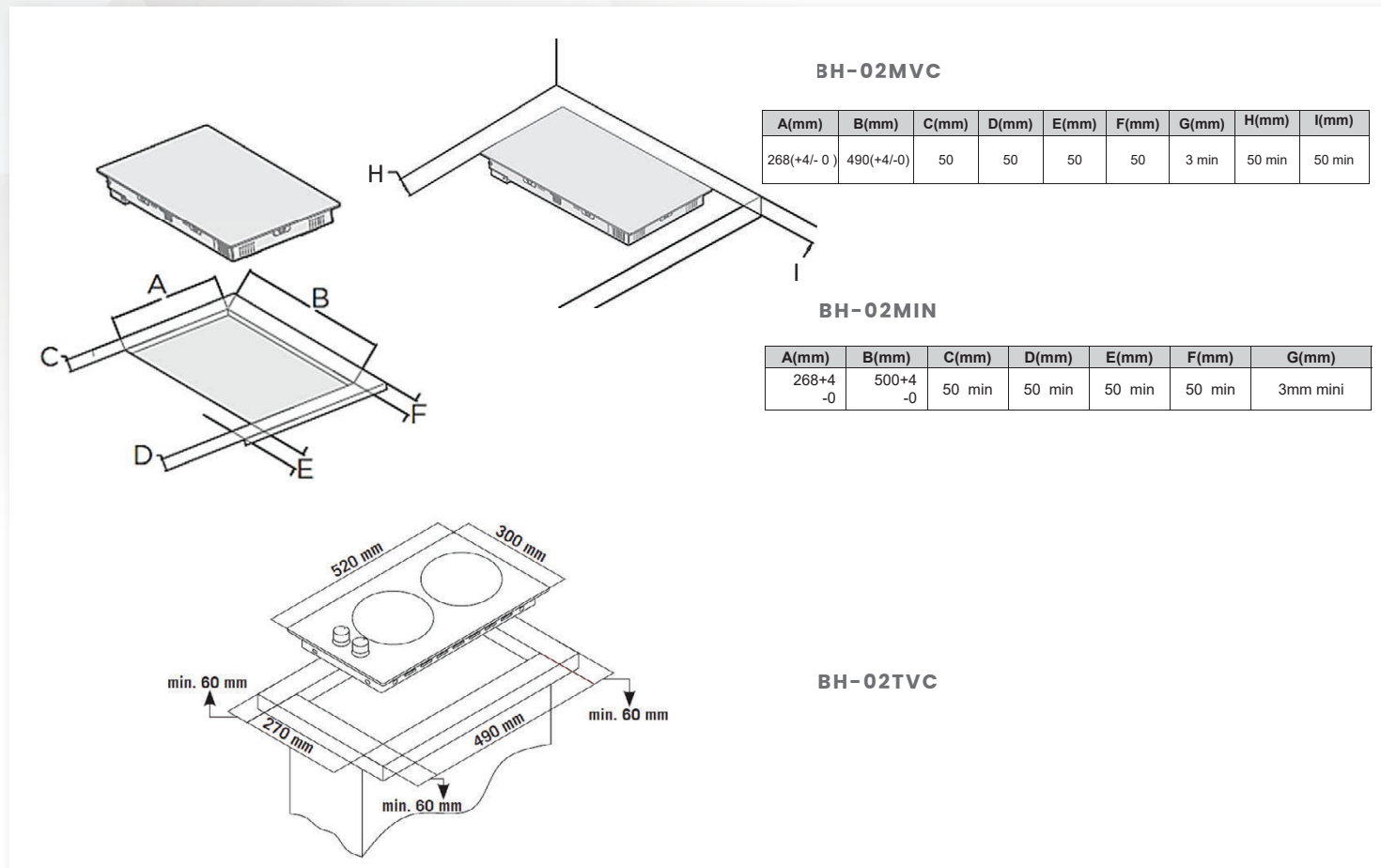
BH-312EI X

INSTALLATION DRAWINGS

BUILT-IN COOKTOPS

BH-02MVC

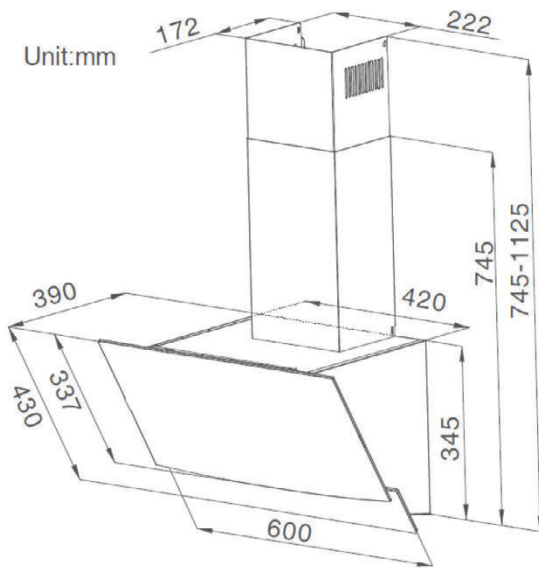
BH-02MIN



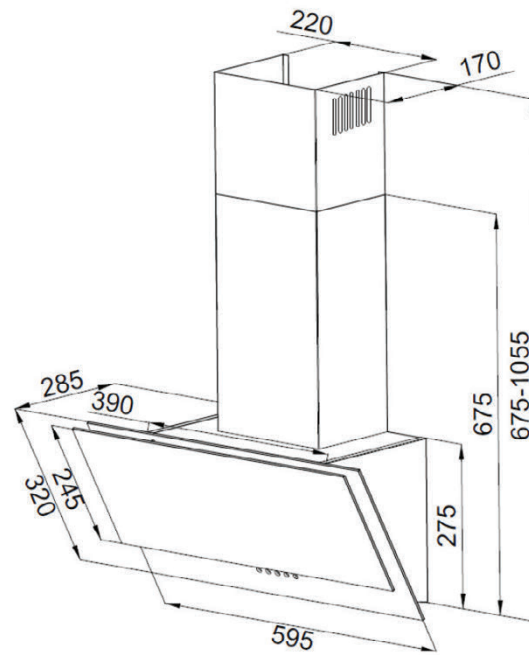
INSTALLATION DRAWINGS

KITCHEN HOODS

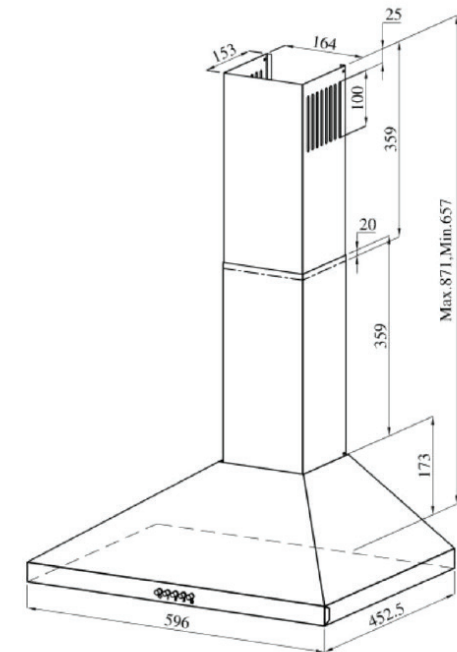
CHO-60CSA210A GB CHO-60CSA210A GW



CHO-60CSA070A B



CHO-60CHA100T X

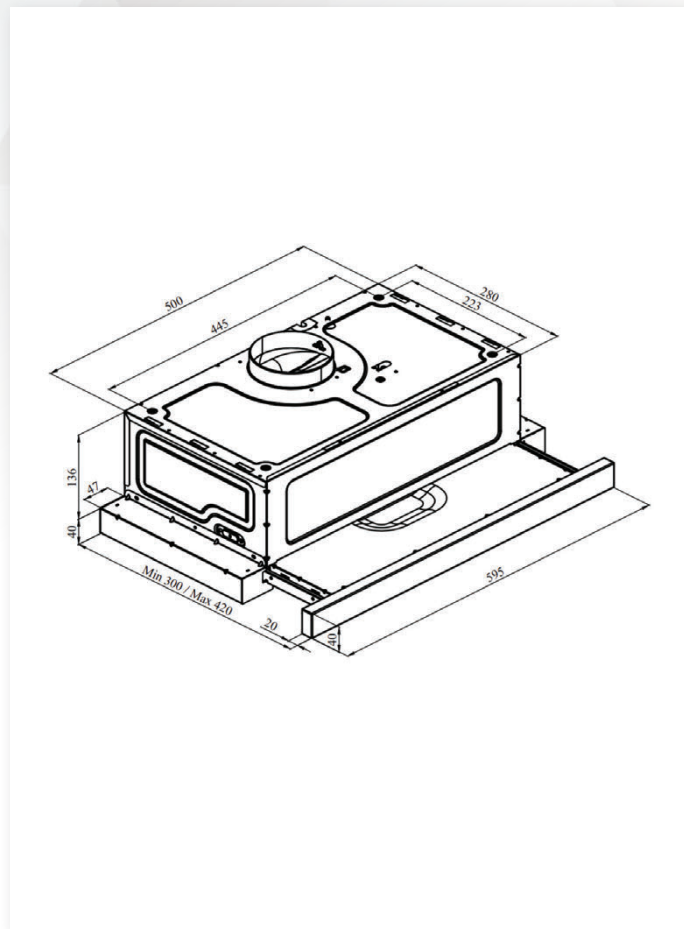


INSTALLATION DRAWINGS

KITCHEN HOODS

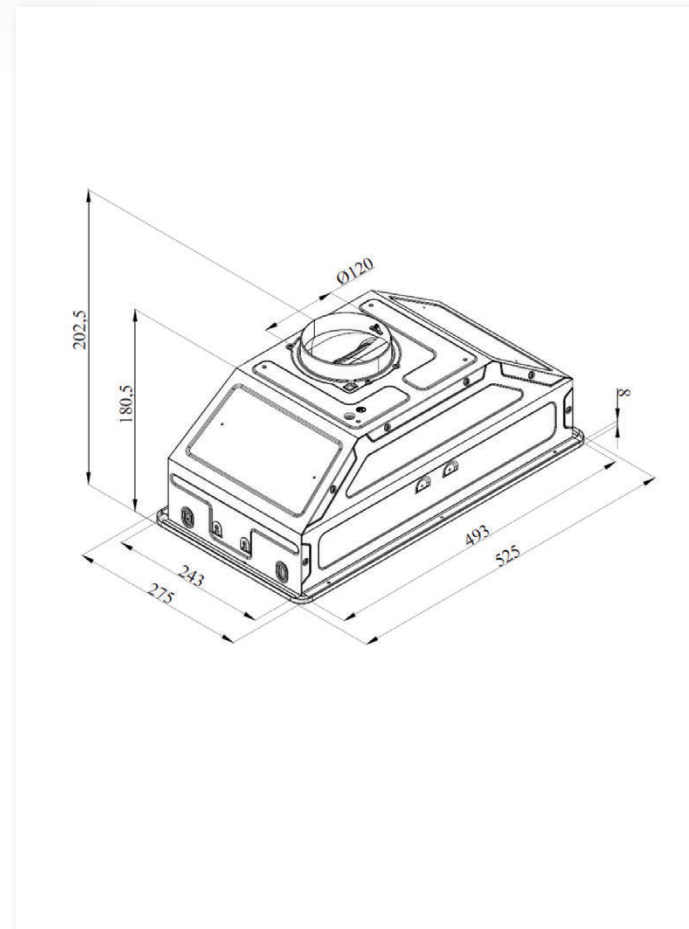
CHO-60PT100T X

CHO-60PT100T B



CHO-60BI100T X

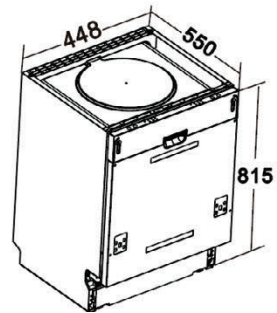
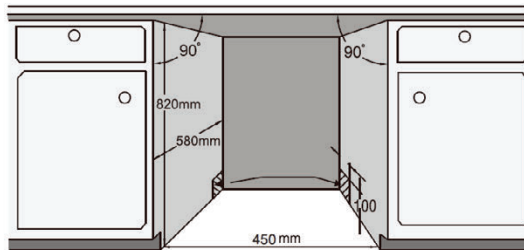
CHO-60BI100T B



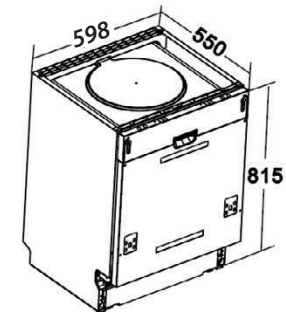
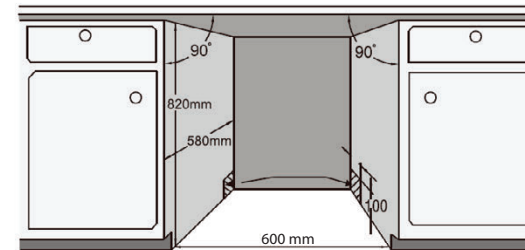
INSTALLATION DRAWINGS

BUILT-IN DISHWASHERS

DWB-450952C



DWB-601252C





VIVAX

Simply good.

M SAN Grupa d.o.o.

Dugoselska ulica 5
10372 Rugvica, Croatia
T +385 1 3654 900
E vivax@msan.hr

vivax.com

